

THE MATERIAL HEREIN IS FOR INFORMATION PURPOSES ONLY AND IS SUBJECT TO CHANGE WITHOUT NOTICE. DIGITAL EQUIPMENT CORPORATION ASSUMES NO RESPONSIBILITY FOR ANY ERRORS WHICH MAY APPEAR HEREIN.

FIELD MAINTENANCE PRINT SET

THIS DRAWING AND SPECIFICATIONS, HEREIN, ARE THE PROPERTY OF DIGITAL EQUIPMENT CORPORATION AND SHALL NOT BE REPRODUCED OR COPIED OR USED IN WHOLE OR IN PART AS THE BASIS FOR THE MANUFACTURE OR SALE OF ITEMS WITHOUT WRITTEN PERMISSION. COPYRIGHT © DIGITAL EQUIPMENT CORPORATION. 1982

TABLE OF CONTENTS

B-TC-DELNI-0-1	DELNI FIELD MAINTENANCE PRINT SET
B-DD-DELNI-0	DELNI UNIT ASSY (DRAWING DIRECTORY ONLY)
D-UA-DELNI-0-DBU	DELNI UNIT ASSY
K-PL-DELNI-0-DBP	DELNI UNIT ASSY (PL)
B-DD-5415475-0	LNI (DRAWING DIRECTORY ONLY)
D-UA-5415475-0-0	LNI
K-PL-5415475-0-DBP	LNI (PL)
D-CS-5415475-0-1	LNI (CS)
B-DD-5415628-0-0	LNI/CCR (DRAWING DIRECTORY ONLY)
D-UA-5415628-0-0	LNI/CCB
K-PL-5415628-0-DBP	LNI/CCB (PL)
D-CS-5415628-0-1	LNI/CCB (CS)
B-PL-DELNI-0	SHIPPING LIST DELNI

UNIT VARIATIONS COVERED BY THIS PRINT SET	
DELNI-AA	
DELNI-AB	

DELNI Field Maintenance Print Set

Digital Equipment Corporation

Print Set Part Number **MP- 01656-01**

REVISION HISTORY	REV	
	ECO NUMBER	
DATE		

DRN.	W. CLARK	DATE	27SEP82	TITLE	digital		
CHK'D.	W. CLARK	DATE	30JUN83		DELNI UNIT ASSEMBLY		
DES. ENG.	R. BATEMAN	DATE	24 MAY 83		DOCUMENT NUMBER		
RESP. ENG.	R. CASTELLANO	DATE	24 MAY 83		SIZE	CODE	NUMBER
FIELD SERVICE	H. SUTTON	DATE	30JUN83		B	TC	DELNI-0-1
NEXT HIGHER DOC.	B - PL - DELNI - C				REV.	A	
					SHEET 1		OF 1

REV. A
NUMBER DELNI-0-1
SIZE CODE B TC

"THE MATERIAL HEREIN IS FOR INFORMATION PURPOSES ONLY AND IS SUBJECT TO CHANGE WITHOUT NOTICE. DIGITAL EQUIPMENT CORPORATION ASSUMES NO RESPONSIBILITY FOR ANY ERRORS WHICH MAY APPEAR HEREIN."

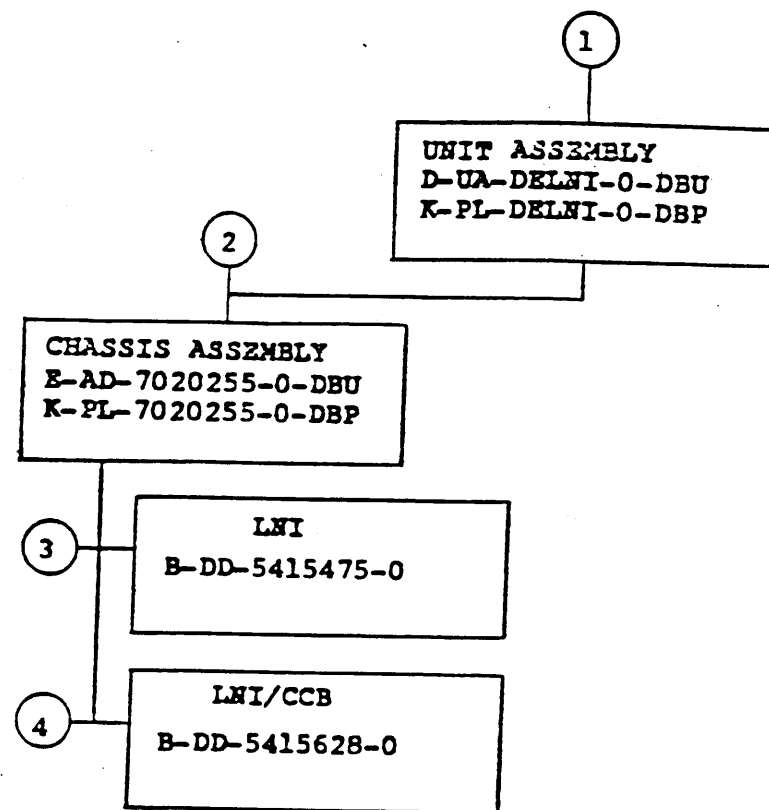
DRAWING DIRECTORY

"THIS DRAWING AND SPECIFICATIONS, HEREIN, ARE THE PROPERTY OF DIGITAL EQUIPMENT CORPORATION AND SHALL NOT BE REPRODUCED OR COPIED OR USED IN WHOLE OR IN PART AS THE BASIS FOR THE MANUFACTURE OR SALE OF ITEMS WITHOUT WRITTEN PERMISSION. COPYRIGHT © 1982 DIGITAL EQUIPMENT CORPORATION."

UNIT VARIATIONS	
VAR	TITLE
DELNI-AA	LOCAL NETWORK INTER-CONNECT
DELNI-AB	LOCAL NETWORK INTER-CONNECT

REVISIONS	REV. A	B
CHANGE NO.	INITIAL	TW003
CHK	W.C.	

USED CN OPTION/MODEL	DRN. W. CLARK	DATE 22SEP82	TITLE DELNI UNIT ASSEMBLY					digital
	CHK'D. W. CLARK	DATE 27JUN83						
	PROJ. ENG. R. BATEMAN	DATE 24 MAY 93	SIZE B	CODE DD	NUMBER DELNI-0	REV B		
	PROD. R. WHITE	DATE 27JUN83	DIST.					
SHEET 1 OF 3								



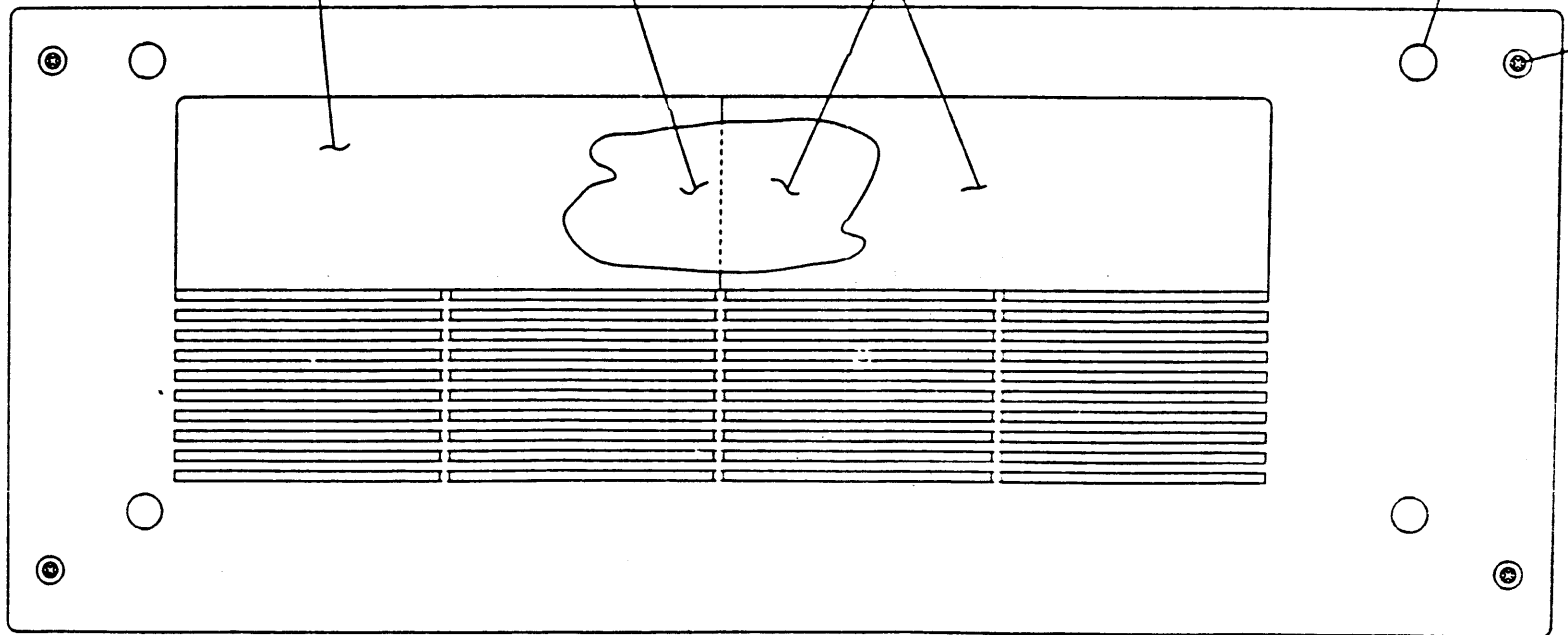
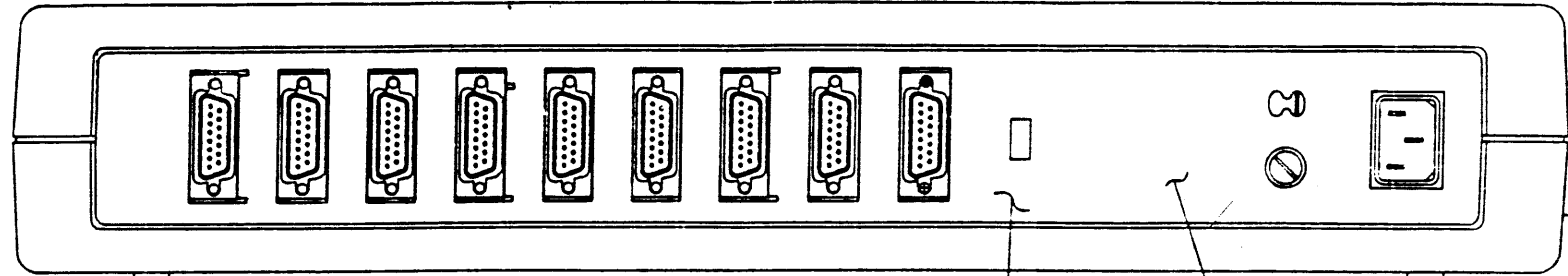
TITLE	SHEET 2 OF 3	SIZE	CODE	NUMBER	REV.
DELNI UNIT ASSEMBLY	3	B	DD	DELNI-0	B

FIND NO.	DRAWING NO.	DESCRIPTION	TYPE	FIND NO.	DRAWING NO.	DESCRIPTION	TYPE
1	MP-01656-01	DELNI (PRINT SET ORDER NO.) MP	-				
	B-TC-DELNI-0-1	DELNI (FIELD MAINTENANCE PRINT SET) TC	-				
	D-UA-DELNI-0-DBU	UNIT ASSY DELNI	E/M				
	K-PL-DELNI-0-DBP	UNIT ASSY DELNI (PL)	E/M				
	E-IA-7427581-0-DBU	ENCLOSURE, TOP	M				
	K-PL-7427581-0-DBP	ENCLOSURE, TOP (PL)	M				
	E-MD-7427582-0-DBU	ENCLOSURE, BOTTOM	M				
	A-PS-3612680-0-0	DECAL, GROUND SIGN	M				
	A-PS-3621103-0-0	LABEL, DELNI-DRESS	M				
	A-SP-DELNI-0-0	DELNI ENGINEERING SPECIFICATION					
2	E-AD-7020255-0-DBU	CHASSIS ASSY	E/M				
	K-PL-7020255-0-DBP	CHASSIS ASSY (PL)	E/M				
	E-IA-7427579-0-DBU	COVER	M				
	K-PL-7427579-0-DBP	COVER (PL)	M				
	E-IA-7427580-0-DBU	CHASSIS	M				
	K-PL-7427580-0-DBP	CHASSIS (PL)	M				
3	B-DD-5415475-0	LNI	E/M				
4	B-DD-5415628-0	LNI/CCB	E/M				
5	K-PL-3700729-0-0	PACKAGING INSTRUCTIONS	-				

"THIS DRAWING AND SPECIFICATIONS HERE IN, ARE THE PROPERTY OF DIGITAL EQUIPMENT CORPORATION AND SHALL NOT BE REPRODUCED OR COPIED OR USED IN WHOLE OR IN PART AS THE BASIS FOR THE MANUFACTURE OR SALE OF ITEMS WITHOUT WRITTEN PERMISSION.
 COPYRIGHT © 1984 DIGITAL EQUIPMENT CORPORATION"

LEGEND		
PART NO.	REV	VARIATION
DELNI-AA	D1	REF. E-AD-7020255-0-DBU
DELNI-AB	D1	REF. E-AD-7020255-0-DBU

NOTES:
 1. ON -AB VARIATION ONLY, REMOVE AND DISCARD FCC PORTION OF LABEL, ITEM 7.



CAUTION: OFF SHEET PARTS LIST EXISTS. REFER TO K-PL-DELNI-0-DBP.

REV.	CHANGE NO.	INITIAL	DATE
A		DELNI-18001	28 FEB 84
B		R. BATEMAN	28 FEB 84
C		W.C. DELNI-18002	03 AUG 84
D		K. GAGNON	03 AUG 84
		D. VONADA	03 AUG 84
		T.M. DELNI-18003	28 DEC 84
		A. HAYNES	28 DEC 84
		D. VONADA	28 DEC 84

DESCRIPTION	DRAWING NO.	PART NO.	TITLE
UNLESS OTHERWISE SPECIFIED DIMENSIONS ARE IN INCHES AND THE FOLLOWING TOLERANCES APPLY (PER DEC STD 114)			
INCHES TOLERANCES	ANGLES ±0°	APPLICABLE DIMENSIONAL RANGE	
		DIMENSION RANGE IN INCHES	
.X ± .1	SURFACE QUALITY	OVER 0	OVER 0.005
.XX ± .02		0.005 - 0.01	0.01 - 0.02
.XXX ± .005		0.01 - 0.02	0.02 - 0.05
THIRD ANGLE PROJECTION	DATE	TITLE	
DO NOT SCALE DRAWING	22 JUN 83	DELNI UNIT ASSY	
REMOVE BURRS AND BREAK SHARP CORNERS	DATE	DOCUMENT NUMBER	
MATERIAL SEE PARTS LIST	27 JUN 83	D UA DELNI-0-DBU D	
FINISH NONE	DATE	SCALE 1/1	
	27 JUN 83	SHEET 1 OF 1	

LINE ITEM	TOP DOCUMENT	PART NUMBER	MIN REV	DESCRIPTION	QTY PER VARIATION		
					AA	AB	
				VARIATION REVISION LEVEL:		B1	B1
1	1	E-AD-7020255-0-DBU		7020255-00	CHASSIS ASSY	1	1
2	2	BLANK			*** THIS ITEM IS NOT USED ***	-	-
3	3			3700729-01	CUSTOMER	1	1
4	4			1216682-04	SCREW,CAPTIV HEX SLOT 6 32	4	4
5	5			9010076-00	BUMPER,DOME HD ADH BACK POLYUR	4	4
6	6			3621103-01	LABEL,DELNI-DRESS	1	1
7	7			3621987-02	LABEL,DELNI REGULATORY INNER	1	1
8	8			3621987-01	LABEL,DELNI REGULATORY OUTER	1	-
9	9	E-IA-7427581-0-0		7427581-01	ENCLOSURE, TOP	1	1
10		E-MD-7427582-0-0		7427582-01	ENCLOSURE, BOTTOM	1	1
11	11			3622207-02	LABEL, CAUTION, WARNING, DELNI	2	2
12	12			3621987-03	LABEL, DELNI REGULATORY UL CLASSI	-	1
13	13	SEE NOTE 1		1700083-09	PWR CORD, TERM 3-18 SJT 125	1	-
14	14	A-EL-DELNI-IN-001			MANUAL, INST, OWNER	1	-

15 NOTE: 1. ITEMS 13 & 14 ARE ADDED TO THE SHIPPING PACKAGE PER PRINT #3700729-00.

REVISION HISTORY			BASIC PART NO: DELNI		DRN: W. CLARK		DATE: 13-OCT-82		D I G I T A L	
ENG	ECO NUMBER	REV	SECTION A OF A		CHK'D: W. CLARK		DATE: 27-JUN-83		TITLE PARTS LIST	
---	INITIAL	A	SECTION VARIATION INDEX		DES.ENG: R. BATEMAN <td colspan="2">DATE: 13-OCT-82 <td colspan="2">DOCUMENT NUMBER</td> </td>		DATE: 13-OCT-82 <td colspan="2">DOCUMENT NUMBER</td>		DOCUMENT NUMBER	
NB	DELNI-TW001	B	(A)AA,AB		RESP.ENG.: R. BATEMAN <td colspan="2">DATE: 13-OCT-82 <td colspan="2">SIZE CODE NUMBER REV</td> </td>		DATE: 13-OCT-82 <td colspan="2">SIZE CODE NUMBER REV</td>		SIZE CODE NUMBER REV	
DV	DELNI-TW002	C	(B)		MFG.ENG.: R. WHITE <td colspan="2">DATE: 27-JUN-83 <td colspan="2">K PL DELNI-O-DBP D</td> </td>		DATE: 27-JUN-83 <td colspan="2">K PL DELNI-O-DBP D</td>		K PL DELNI-O-DBP D	
DV	DELNI-TW003	D	(C)		ASSEMBLY NUMBER:		TOP DOCUMENT NUMBER:		FILE NAME:	
			(D)		E-UA-DELNI-O-DBU		#B-DD-DELNI-0		Z5662D.PLS	
			(E)						RELEASE DATE: 09-MAR-85	
			(F)						EDIT #	
									17	

"THIS DRAWING AND THE SPECIFICATIONS CONTAINED HEREIN ARE CONFIDENTIAL AND PROPRIETARY. THEY ARE THE PROPERTY OF DIGITAL EQUIPMENT CORPORATION AND SHALL NOT BE REPRODUCED OR COPIED OR USED IN WHOLE OR IN PART AS THE BASIS FOR THE MANUFACTURE OR SALE OF ITEMS WITHOUT WRITTEN PERMISSION. THIS IS AN UNPUBLISHED WORK PROTECTED UNDER THE FEDERAL COPYRIGHT LAWS."

D REV. 5415475-0-0 NUMBER DD B DD B SIZE CODE

DRAWING NO.	NO. OF SHTS.	PART NO.	DESCRIPTION	REVISIONS															
				A	B	C	D	E	F	G	H	I	J	K	L	M	N	O	P
		5415475-00	LOCAL NETWORK INTERCONNECT	A	B	C	D	E	F	G	H	I	J	K	L	M	N	O	P
D-UA-5415475-0-0	1		LOCAL NETWORK INTERCONNECT	A	B	C	D	E	F	G	H	I	J	K	L	M	N	O	P
D-CS-5415475-0-1	14		LOCAL NETWORK INTERCONNECT	A	B	C	D	E	F	G	H	I	J	K	L	M	N	O	P
K-PL-5415475-0-DBP	3		LOCAL NETWORK INTERCONNECT	A	B	C	D	E	F	G	H	I	J	K	L	M	N	O	P
K-PC-5415475-0-DBC	-		P.C. DESIGN DATABASE	D	D	D	E	F	G	H	I	J	K	L	M	N	O	P	
		5015474-00	ETCH CIRCUIT BOARD	D1	D1	D1	E1	F	G	H	I	J	K	L	M	N	O	P	
B-DD-5015474-0-0	1		DRAWING DIRECTORY	A	B	C	D	E	F	G	H	I	J	K	L	M	N	O	P

NOTES: Jerry Hutchison 2/23/84

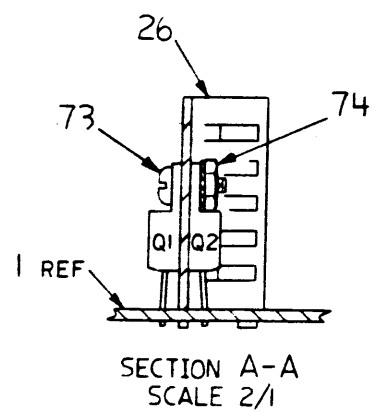
REVISIONS		DATE	CHG NO.	INIT	REV.
	A	4-83			
	B	6-83	ML001		
	C	2-84	TW002		
	D	6-84	TW003		

"THIS DRAWING AND SPECIFICATIONS, HEREIN, ARE THE PROPERTY OF DIGITAL EQUIPMENT CORPORATION AND SHALL NOT BE REPRODUCED OR COPIED OR USED IN WHOLE OR IN PART AS THE BASIS FOR THE MANUFACTURE OR SALE OF ITEMS WITHOUT WRITTEN PERMISSION.
 COPYRIGHT © 1983 DIGITAL EQUIPMENT CORPORATION

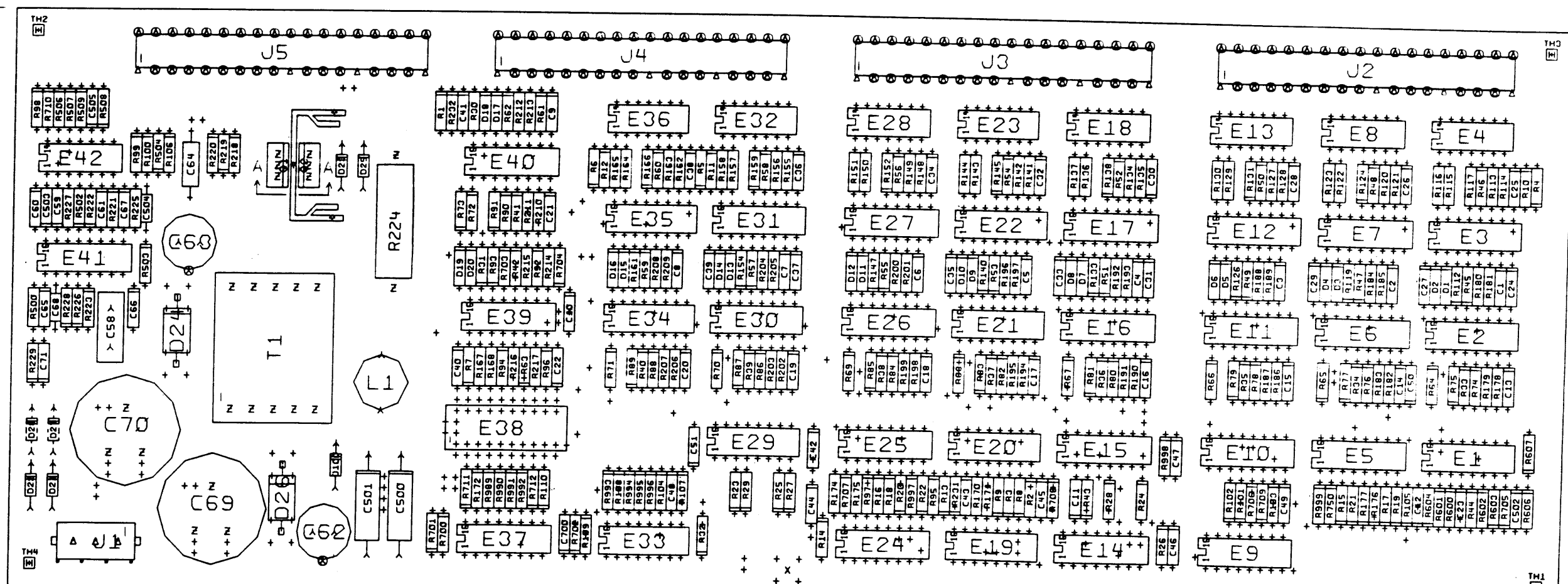


USED ON OPTION/MODEL	DRN. R. RHOADES	22MAR83	TITLE	LOCAL NETWORK INTERCONNECT			
	CHK'D J.H.	06APR83	SIZE	CODE	NUMBER	REV.	
	ENG. Jerry HUTCHISON	07APR83	B	DD	5415475-0-0	D	
	PROD. JOHN COBB	07APR83	SHEET	1	OF	1	

THIS DRAWING AND SPECIFICATIONS HEREBY ARE THE PROPERTY OF DIGITAL EQUIPMENT CORPORATION AND SHALL NOT BE REPRODUCED OR COPIED IN WHOLE OR IN PART OR THE DATA FOR THE MANUFACTURE OR SALE OF ITEMS WITHOUT WRITTEN PERMISSION.
 COPYRIGHT © 1974 DIGITAL EQUIPMENT CORPORATION



14.20 REF.



1. SPARE LOCATIONS:
 NOTES: E5, E9, E29, E38, R124, R131, R138, R145, R152, R159, R166, R177, P98, R100, R106, P602, R750, C72, C70C, D27, D28, R989, R999.
 2. REF. DES. NOT USED: C52-C57, C72-C499, C506-C699, D29-D99, R111, R118, R125, R132, R139, R146, R153, R160, R169, R173, R230, R233, R499, R501, R505, R510, R599, R605, R608, R699.
 STEP E → Y AXIS 5.20 STEP L TIMES
 REPEAT → X AXIS STEP — TIMES

CHK	CHANGE	NO	REV	DATE	BY
1	5415475	1	3	D	VONADA

NOTES:
 NOTE 2 CONTINUED: R713-R749, R751-R988
 3. HEATSINK TABS MAY BE SOLDERED IN FOR MECHANICAL FASTENING ONLY.
 4. CUTTING LEADS TO LENGTH ON J2, J3, J4. J5 IS NOT REQUIRED. MAX LENGTH IS .120.
 5. UL RATING IS LPWR

ETCH REV. EIP2

SIGNATURES	DATE	TITLE
DRN <i>[Signature]</i>	2-17-80	digital
CHK'D <i>[Signature]</i>	2-20-80	
MECH. ENG. <i>[Signature]</i>		TITLE DELNT LOGIC BOARD
PROD. ENG. <i>[Signature]</i>		
SCALE 2:1	SIZE CODE	NUMBER
SHT. 1 OF 1	D UA	5415475-00
NEXT HIGHER ASSY. B-20-5415475-00		REV 0

LINE	ITEM	TOP DOCUMENT	PART NUMBER	MIN REV	DESCRIPTION	QTY	PER VARIATION	REFERENCE DESIGNATOR
					VARIATION REVISION LEVEL:	00		
						D1		
1	1	D-MD-5015474-0-0	5015474-00		DRILL & ETCH	1		
2	2		1001383-00		4700.0 MMF 100V 3%200PPM MICA	1		C58
3	3		1012607-00		560 MFD 20V+100-10% AL EL	1		C62
4	4		1012607-02		180 MFD 50V+100-10% AL EL	1		C63
5	5		1012784-00		.047 MFD 50V +80-20% CER	33		C24-C51,C59-C61,C503,C505
6	6		1013466-06		100.0 MMF 50V 5% CER	1		C65
7	7		1013466-09		1000.0 MMF 50V 10% X7R CER	1		C23
8	8		1013466-10		3300.0 MMF 50V 5% CER	1		C64
9	9		1013466-12		2200.0 MMF 50V 10% X7R CER	2		C66,C71
10	10		1013466-15		1200.0 MMF 50V 10% CER	10		C13-C22
11	11		1013466-16		.010 MFD 50V 10% X7R CER	1		C67
12	12		1013466-17		150.0 MMF 50V 5% CER	11		C1-C10,C11
13	13		1013466-18		330.0 MMF 50V 5% CER	1		C502
14	14		1013466-22		.1 MFD 50V +80-20% Z5U CER	1		C504
15	15		1013466-46		.047 MFD 50V 10% X7R CER	1		C68
16	16		1014228-00		1000 MFD 50V +75-10% AL EL	2		C69,C70
17	17	BLANK			*** THIS ITEM IS NOT USED ***	-		
18	18		1017472-00		10 MFD 35V +75-10% AL EL	2		C500,C501
19	19		1100114-00		PIV= 25 IO=135 MA	20		D1-D20
20	20		1103340-00		VZ= 6.8 5% 1 W 1N4736A	1		D100
21	21		1105796-00		PIV= 400 IO= 1.00A 1N4004 D0-41	3		D21-D23
22	22		1114602-00		RECT,ULTRA FAST PIV= 100 IO= 4.0	1		D24
23	23		1105648-01		VZ= 15.0 5% 1 W 1N4744A	1		D25
24	24		1120954-01		RECT. ASSY PIV= 20 IO= 3.00A	1		D26
25	25		1211342-03		MATE-N-LOK 03PIN(1X03).200CC HDR	1		J1
26	26		1217561-00		HEAT SINKS,T0-220 1.390X1.00	1		
27	27		1220856-01		PCB HEADER 18SKT(1X18).156CC STR	4		J2-J5
28	28		1300219-00		68.0 .25 W 5.0 % CF	1		R1
29	29		1300247-00		120.0 .25 W 5.0 % CF	10		R2-R6,R94,R95,R218,R711,R712
30	30		1300271-00		220.0 .25 W 5.0 % CF	1		R232

REVISION HISTORY			BASIC PART NO: 5415475		
ENG:	ECO NUMBER	REV	SECTION A OF A	DRN:	RITA Z. BUREAU
DV	5415475-ML001	B	SECTION VARIATION INDEX	DATE:	21-JAN-83
DV	5415475-TW002	C	(A) 00	CHK'D:	HANS ROLLA
DV	5415475-TW003	D	(B)	DATE:	16-MAR-83
			(C)	DES.ENG:	J. HUTCHINSON
			(D)	DATE:	16-MAR-83
			(E)	RESP.ENG.:	DON VONADA
			(F)	DATE:	16-MAR-83
			(H)	MFG.ENG.:	JOHN COBB
			(J)	DATE:	16-MAR-83
			(K)	ASSEMBLY NUMBER:	D-UA-5415475-0-0
			(L)	TOP DOCUMENT NUMBER:	B-DD-5415475-0-0
			(M)	FILE NAME:	Z4312D.PLS
			(N)	RELEASE DATE:	19-SEP-84
				EDIT #	6

"THIS DRAWING AND THE SPECIFICATIONS CONTAINED HEREIN ARE CONFIDENTIAL AND PROPRIETARY. THEY ARE THE PROPERTY OF DIGITAL EQUIPMENT CORPORATION AND SHALL NOT BE REPRODUCED OR COPIED OR USED IN WHOLE OR IN PART AS THE BASIS FOR THE MANUFACTURE OR SALE OF ITEMS WITHOUT WRITTEN PERMISSION. THIS IS AN UNPUBLISHED WORK PROTECTED UNDER THE FEDERAL COPYRIGHT LAWS."

PARTS LIST

LINE	ITEM	TOP DOCUMENT	PART NUMBER	MIN REV	DESCRIPTION	QTY	PER VARIATION	REFERENCE DESIGNATOR
					VARIATION REVISION LEVEL:	00		
						D1		
31	31		1300295-00		330.0 .25 W 5.0 % CF	2		R32,R231
32	32		1305125-00		383.0 .25 W 1.0 % RN55D-F10	1		R502
33	33		1300365-00		1.0 K .25 W 5.0 % CF	21		R15,R17,R19,R21,R23,R25,R27,R29, R112,R119,R126,R133,R140,R147, CONT R154,R161,R219,R600,R606,R705, CONT R706
34	34	BLANK			*** THIS ITEM IS NOT USED ***	-		
35	35		1301320-00		1.20 K .25 W 5.0 % CF	1		R220
36	36		1300479-00		10.0 K .25 W 5.0 % CF	1		R504
37	37		1301322-00		180.0 .25 W 5.0 % CF	9		R7-R13,R110,R172
38	38		1301422-00		7.50 K .25 W 5.0 % CF	2		R601,R607
39	39		1302388-00		2.0 K .25 W 5.0 % CF	49		R14,R16,R18,R20,R22,R24,R26,R28, CONT R31,R44-R63,R96,R97,R101-R105, CONT R107-R109,R503,R604,R603, CONT R700-R702,R707-R709,R176
40	40		1302391-00		20.0 K .25 W 5.0 % CF	10		R33-R42
41	41		1302875-00		82.50 .25 W 1.0 % RN55D-F10	1		R509
42	42		1303038-00		133.0 .25 W 1.0 % RN55D-F10	1		R221
43	43		1303044-00		100.0 K .25 W 1.0 % RN55D-F10	1		R228
44	44		1303114-00		1.0 K .25 W 1.0 % RN55D-F10	1		R506
45	45		1305324-00		4.99 K .25 W 1.0 % RN55D-F10	1		R710
46	46		1303179-00		8.20 K .25 W 5.0 % CF	10		R64-R73
47	47		1303312-00		10.0 K .25 W 1.0 % RN55D-F10	1		R229
48	48		1304833-00		1.96 K .25 W 1.0 % RN55D-F10	1		R508
49	49		1305121-00		38.30 .25 W 1.0 % RN55D-F10	20		R74-R93
50	50		1309413-00		3.83 K .25 W 1.0 % RN55D-F10	1		R223
51	51		1310630-00		1.33 K .25 W 1.0 % RN55D-F10	1		R222
52	52		1310876-03		.05 5.0 W 3.0 % WW	1		R224
53	53		1311522-00		200.0 .25 W 5.0 % CF	1		R225
54	54		1312929-00		62.0 .25 W 5.0 % CF	2		R703,R704
55	55		1312930-00		5.10 K .25 W 5.0 % CF	1		R507
56	56		1313150-00		430.0 .25 W 5.0 % CF	80		R120-R123,R127-R130,R30, CONT R113-R117,R134-R137,R141-R144, CONT R148-R151,R155-R158,R162-R165, CONT R167,R168,R170,R171,R174,R175, CONT R178-R217
57	57		1313476-00		51.10 K .25 W 1.0 % RN55D-F10	1		R226
58	58		1313580-00		360.0 .25 W 5.0 % CF	1		R43
59	59		1318150-18		53.60 K .25 W 1.0 % RN55D-F10	1		R227
60	60		1320019-01		1.30 M .25 W 1.0 % RN55D-F10	1		R500
61	61		1510707-00		D 44H8 NPN 25W SI 60*2A	2		Q1,Q2
62	62		1618013-00		10.0 UH 20A	1		L1
63	63		1618516-00		XFMR,PULSE RATIO 1:1,14PIN DIP	8		E4,E8,E13,E18,E23,E28,E32,E36
64	64		1620741-02		XFMR,POWER SUPPLY	1		T1
65	65		1911399-00		10102 NOR GATE,QUAD 2IN	5		E10,E15,E20,E25,E33
66	66		1911402-00		10105 OR/NOR GATE,2-3-2	8		E3,E7,E12,E17,E22,E27,E31,E35
67	67		1911405-00		10109 NOR/OR GATE,4-5	3		E14,E19,E24
68	68		1911416-00		10131 DUAL D MSTR/SL.FF	1		E37

D	I	G	I	T	A	L	TITLE	DELNI	SECTION A OF A	SIZE	CODE	DOCUMENT NUMBER	REV
										K	PL	5415475-0-DBP	D

AUTOMATED BY PRTLST.5R(55)

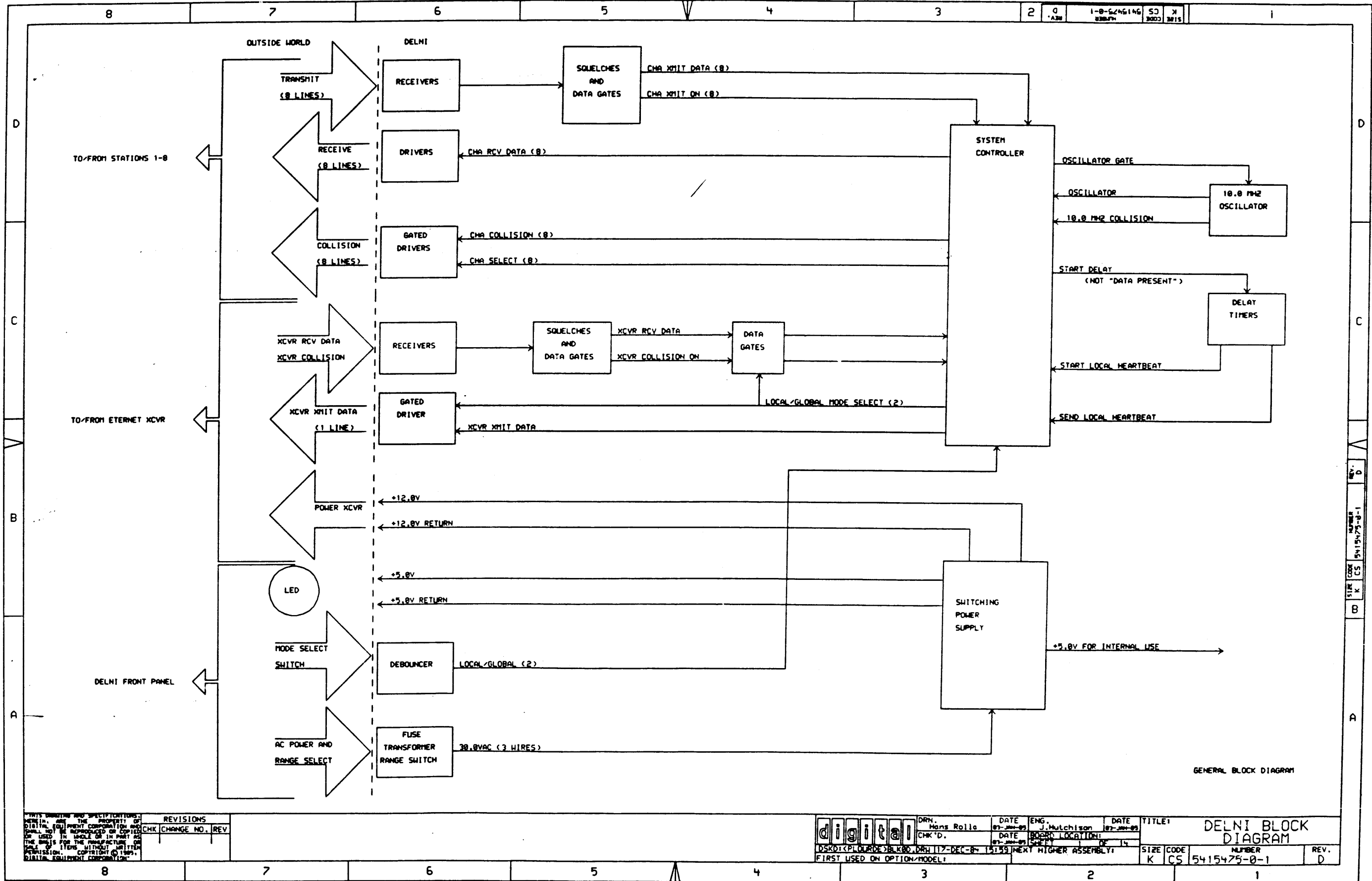
P A R T S L I S T

SHEET A3 OF A3

LINE ITEM	TOP DOCUMENT	PART NUMBER	MIN REV DESCRIPTION	QTY PER VARIATION	REFERENCE DESIGNATOR
			VARIATION REVISION LEVEL:	00 D1	
69	69	1912108-00	339 VOLT CMPRTR, QUAD	1	E42
70	70	1916820-00	SG3525J MODULATOR-REGULATING	1	E41
71	71	1918203-00	10116 LINE RECEIVER, TRIPLE	11	E1, E2, E6, E11, E16, E21, E26, E30, E34, E39, E40
72	72	BLANK	*** THIS ITEM IS NOT USED ***	-	CONT
73	73	9006010-01	SCREW, MACH PAN PHIL	4-1	
74	74	9006557-00	NUT, HEX EXT TOOTH LCKWSHR	4-40 1	

- 75 NOTE: 1. SPARE LOCATIONS: E5, E9, E29, E38, R106, R124, R131, R138, R145, R152,
 76 NOTE: R159, R166, R177, R602, R98-R100, R750, R989-R999, C12, C700, D27, D28.
 77 NOTE: 2. REFERENCE DESIGNATORS NOT USED: C52-C57, C72-C499, C506-C699,
 78 NOTE: D29-D99, R111, R118, R125, R132, R139, R146, R153, R160, R169, R173,
 79 NOTE: R230, R233-R499, R501, R505, R510-R599, R605, R608-R699, R713-R749, R751-R988.

D I G I T A L	TITLE DELNI	SECTION A OF A	SIZE K	CODE PL	DOCUMENT NUMBER 5415475-0-DBP	REV D
---------------	----------------	----------------	-----------	------------	----------------------------------	----------



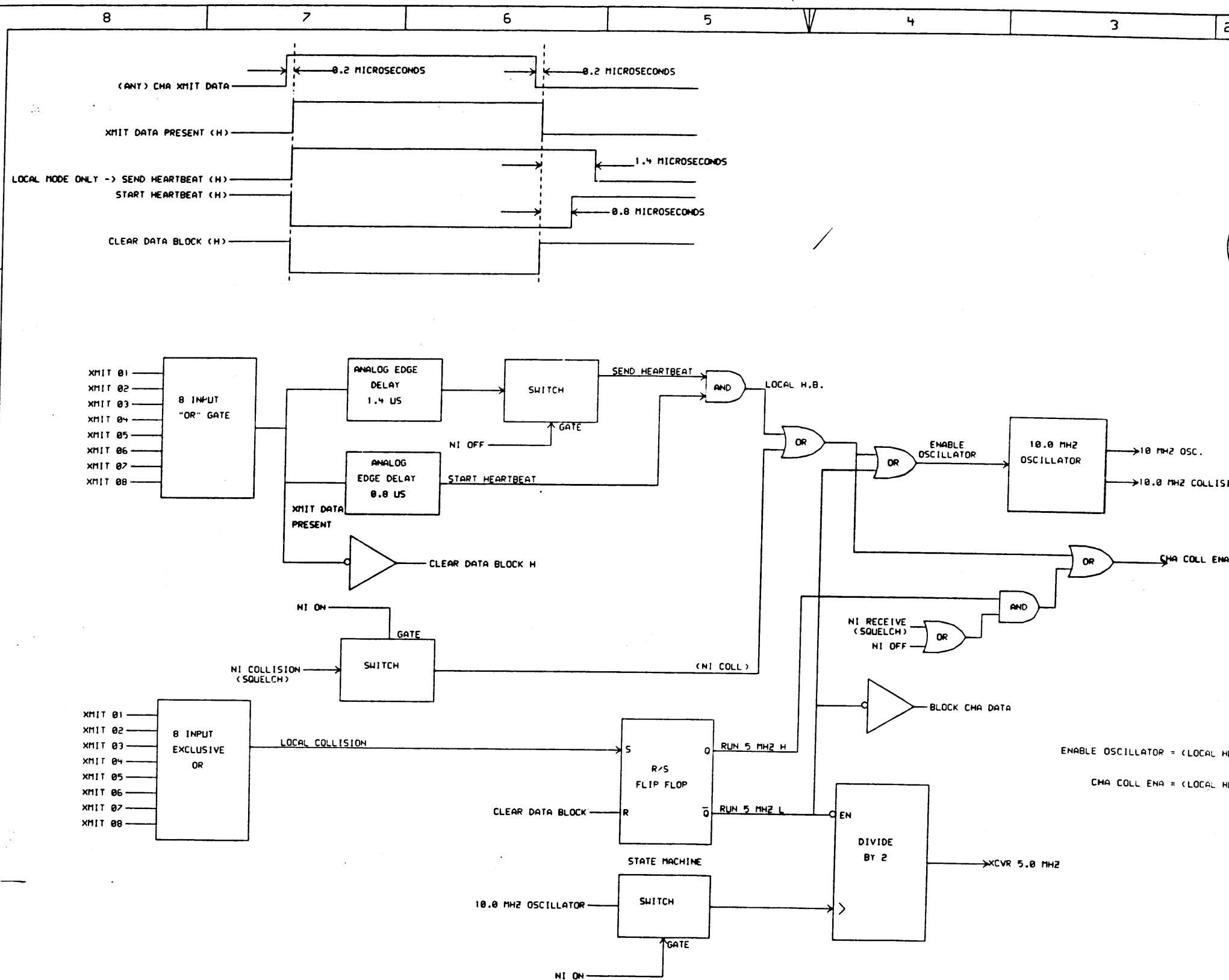
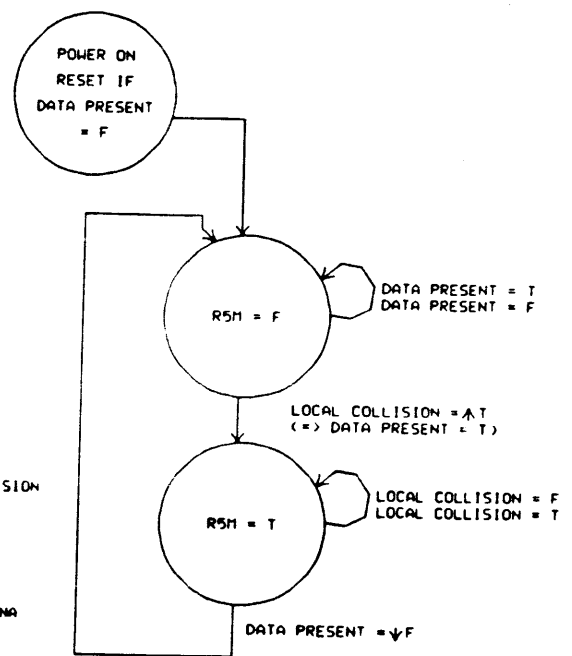
GENERAL BLOCK DIAGRAM

REV. D
 NUMBER 5415475-0-1
 SIZE CODE K CS
 B

REVISIONS	
CHK	CHANGE NO. REV.

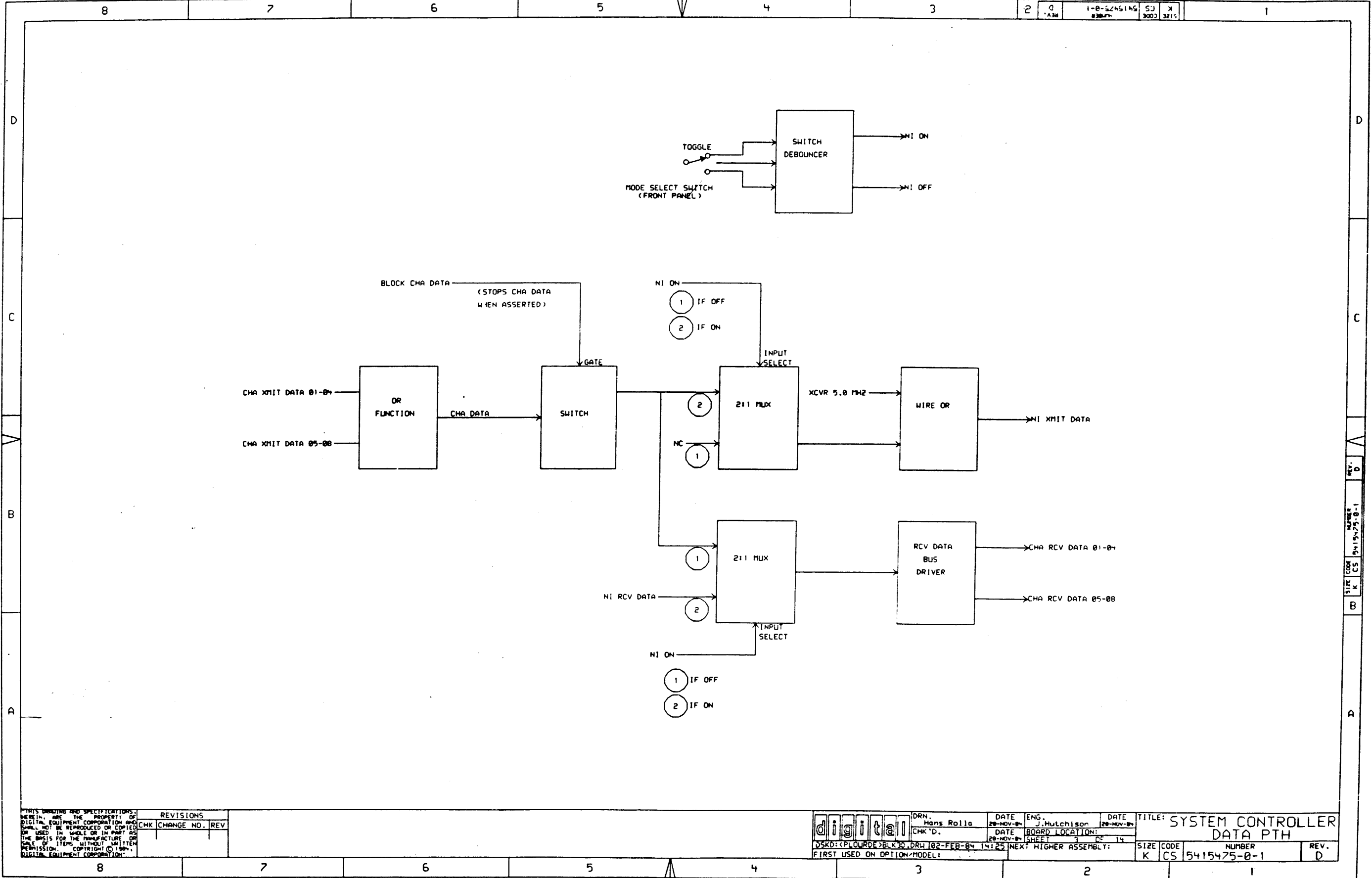
digital	DRN. Mans Rollo	DATE 07-00-03	ENG. J. Mulchison	DATE 07-00-03	TITLE: DELNI BLOCK DIAGRAM
	CHK'D.	DATE 07-00-03	BOARD LOCATION: DE 14		
DSKDI (PLOWDE) BULKY DRN 17-DEC-87 15:45 NEXT HIGHER ASSEMBLY:					SIZE CODE K CS
FIRST USED ON OPTION/MODEL:					NUMBER 5415475-0-1
					REV. D

STATE DIAGRAM DEFINES RUN 5 MHZ
 STATE VARIABLE = R5M = RUN 5 MHZ
 INPUT VARIABLES : DATA PRESENT
 LOCAL COLLISION
 OUTPUT VARIABLE : R5M



THIS DRAWING AND SPECIFICATIONS HEREIN ARE THE PROPERTY OF DIGITAL EQUIPMENT CORPORATION AND SHALL NOT BE REPRODUCED OR COPIED OR USED IN WHOLE OR IN PART AS THE BASIS FOR THE MANUFACTURE OR SALE OF ITEMS WITHOUT WRITTEN PERMISSION. COPYRIGHT © 1984, DIGITAL EQUIPMENT CORPORATION.

REV.	CHG	NO.	REV

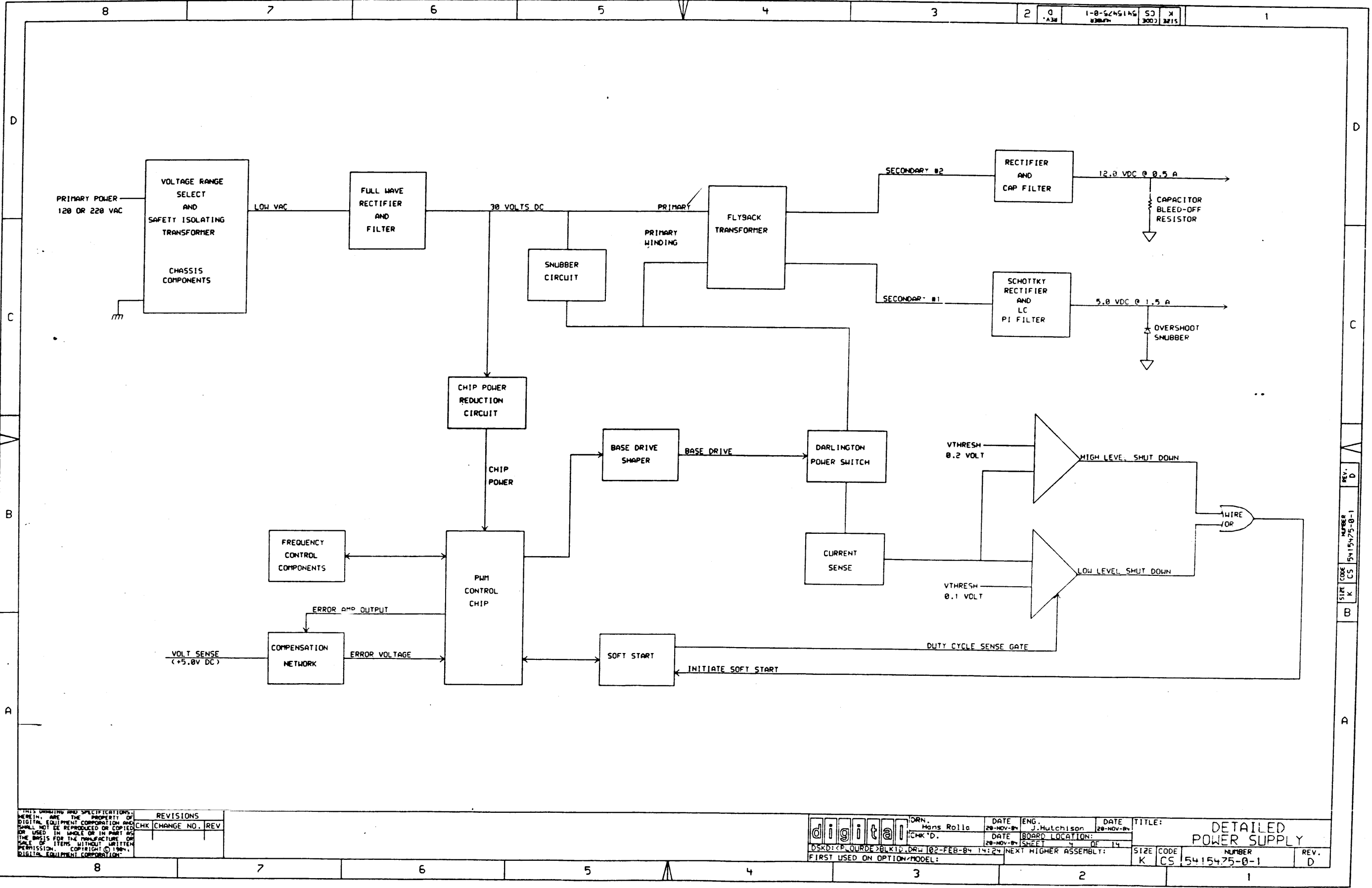


THIS DRAWING AND SPECIFICATIONS, HEREIN, ARE THE PROPERTY OF DIGITAL EQUIPMENT CORPORATION AND SHALL NOT BE REPRODUCED OR COPIED OR USED IN WHOLE OR IN PART AS THE BASIS FOR THE MANUFACTURE OR SALE OF ITEMS WITHOUT WRITTEN PERMISSION. COPYRIGHT © 1984, DIGITAL EQUIPMENT CORPORATION.

REVISIONS		
CHK	CHANGE NO.	REV

digital	DRN. Hans Rolia	DATE 28-NOV-84	ENG. J. Hutchison	DATE 28-NOV-84
	CHK'D.	DATE 28-NOV-84	BOARD LOCATION:	
	DSKD: <PLOURDE> BLK 35, DRW 102-FEB-84 14:25		NEXT HIGHER ASSEMBLY:	
FIRST USED ON OPTION MODEL:				

TITLE: SYSTEM CONTROLLER DATA PTH			
SIZE CODE	NUMBER	REV.	
K CS	5415475-0-1	D	

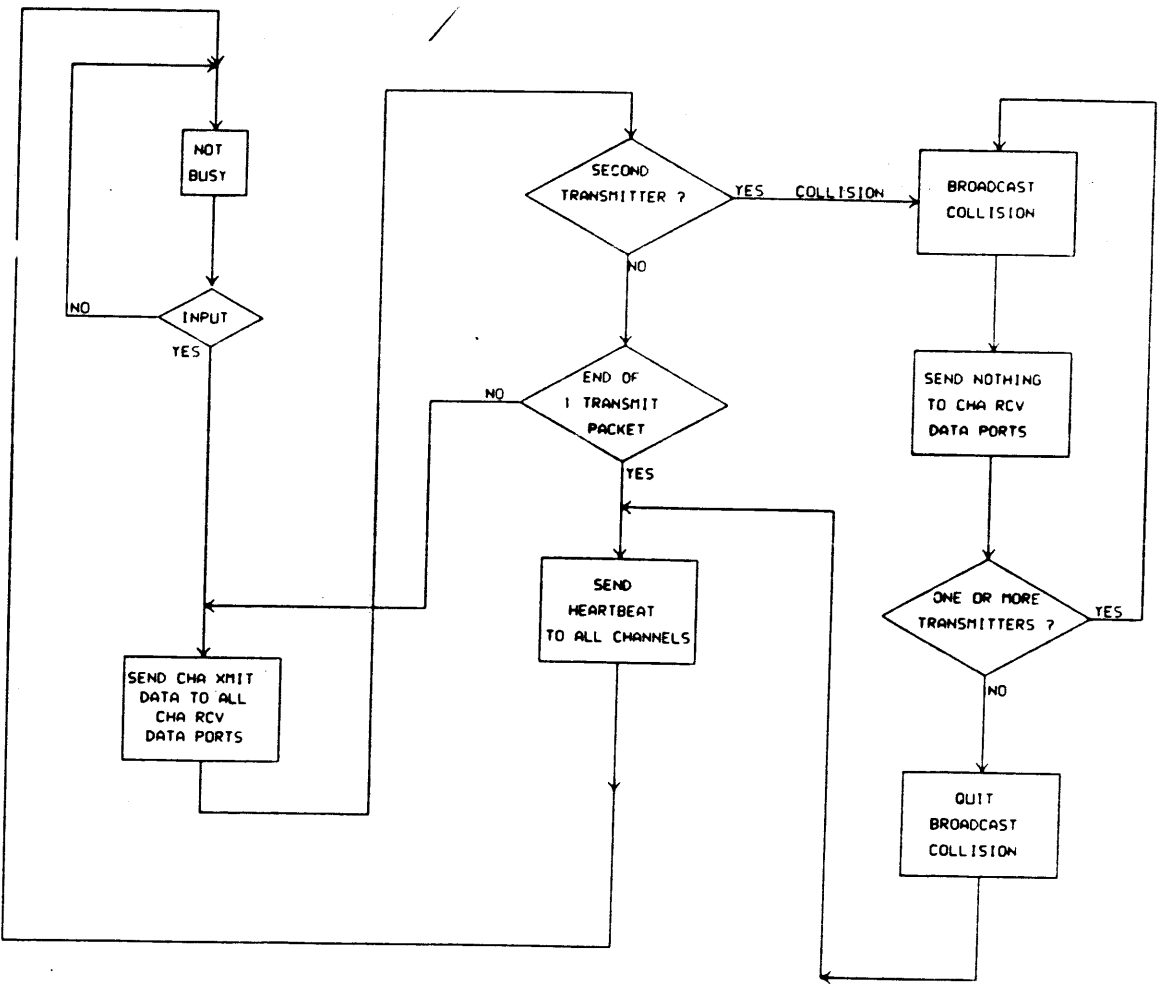


THIS DRAWING AND SPECIFICATIONS, HEREIN, ARE THE PROPERTY OF DIGITAL EQUIPMENT CORPORATION AND SHALL NOT BE REPRODUCED OR COPIED IN WHOLE OR IN PART AS A BASIS FOR THE MANUFACTURE OF ANY ITEMS WITHOUT WRITTEN PERMISSION. COPYRIGHT © 1984, DIGITAL EQUIPMENT CORPORATION.

REVISIONS	
CHK	CHANGE NO. REV

	DRN. Mans Rollo	DATE 28-NOV-84	ENG. J. Hutchison	DATE 28-NOV-84	TITLE: DETAILED POWER SUPPLY
	CHK'D.	DATE 28-NOV-84	BOARD LOCATION: 4 OF 14	SHEET 4 OF 14	
DSKD: P:\OURDE\BLK12.DRW 02-FEB-84 14:24 NEXT HIGHER ASSEMBLY:					SIZE CODE NUMBER REV. K CS 5415475-0-1 D

(INPUT: ACTIVITY ON A
 CHA XMIT DATA LINE.)



REV. D
 5415475-0-1
 CS K
 B

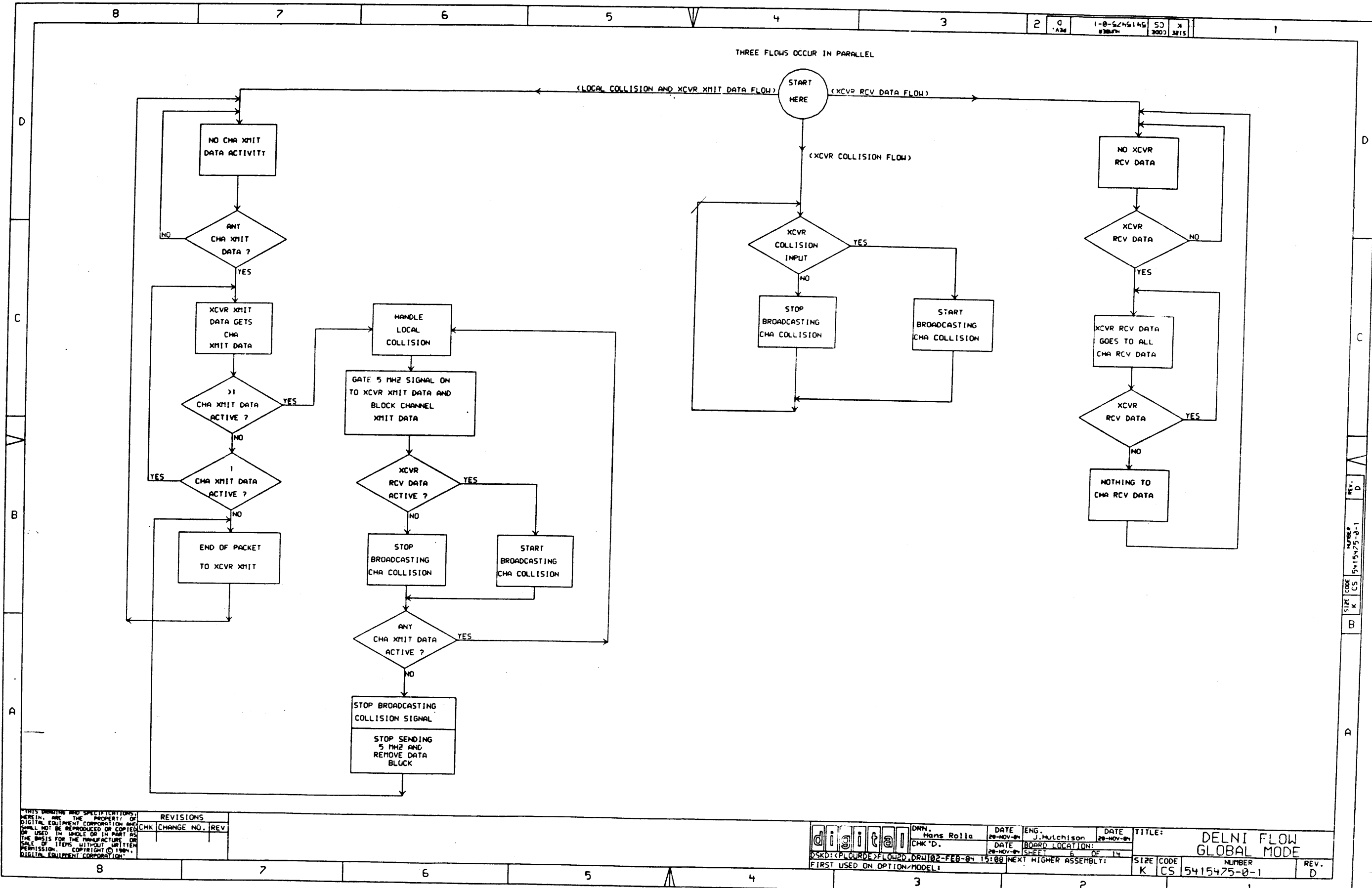
THIS DRAWING AND SPECIFICATIONS
 HEREIN ARE THE PROPERTY OF
 DIGITAL EQUIPMENT CORPORATION AND
 SHALL NOT BE REPRODUCED OR COPIED
 OR USED IN WHOLE OR IN PART AS
 THE BASIS FOR THE MANUFACTURE OR
 SALE OF ITEMS WITHOUT WRITTEN
 PERMISSION. COPYRIGHT © 1984
 DIGITAL EQUIPMENT CORPORATION.

REVISIONS	
CHK	CHANGE NO. REV

digital
 DRN. Mans Rolla
 CHK'D.

DATE	ENG.	DATE
28-NOV-84	J. Hutchison	28-NOV-84
DATE	BOARD LOCATION:	
28-NOV-84	SHEET 5 OF 14	

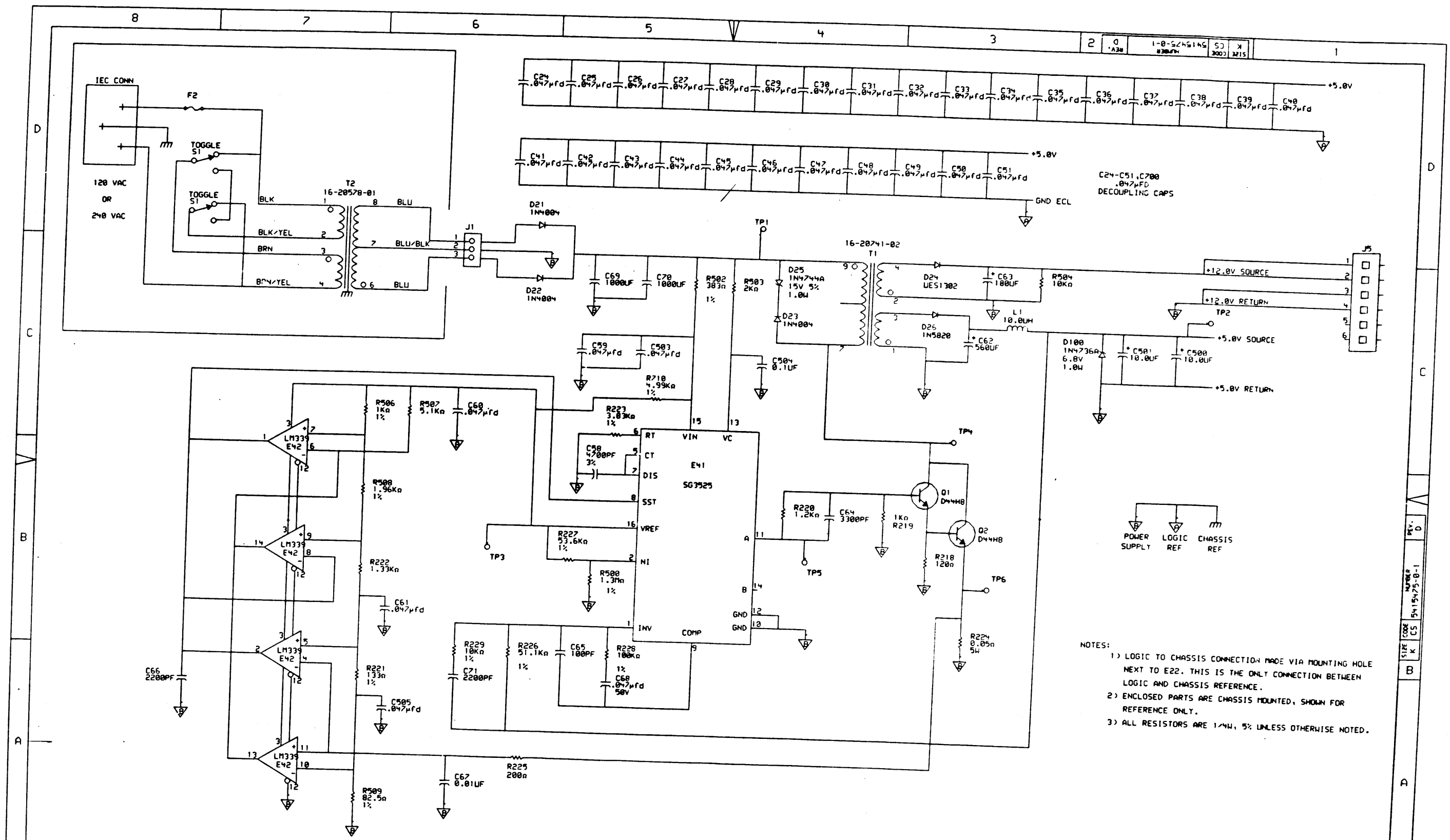
TITLE: DELNI FLOW LOCAL MODE
 SIZE CODE K CS NUMBER 5415475-0-1 REV. D



THIS DRAWING AND SPECIFICATIONS HEREIN ARE THE PROPERTY OF DIGITAL EQUIPMENT CORPORATION AND SHALL NOT BE REPRODUCED OR COPIED OR USED IN WHOLE OR IN PART AS THE BASIS FOR THE MANUFACTURE OR SALE OF ITEMS WITHOUT WRITTEN PERMISSION. COPYRIGHT © 1984, DIGITAL EQUIPMENT CORPORATION.

REVISIONS	
CHK	CHANGE NO. REV

	DWN. Mans Rolla	DATE 28-NOV-84	ENG. J. Mulchison	DATE 28-NOV-84	TITLE: DELNI FLOW GLOBAL MODE
	CHK'D.	DATE 28-NOV-84	BOARD LOCATION: SHEET 6 OF 14	SIZE CODE K CS	NUMBER 5415475-0-1
FIRST USED ON OPTION/MODEL:					NEXT HIGHER ASSEMBLY:
REV. D					REV. D

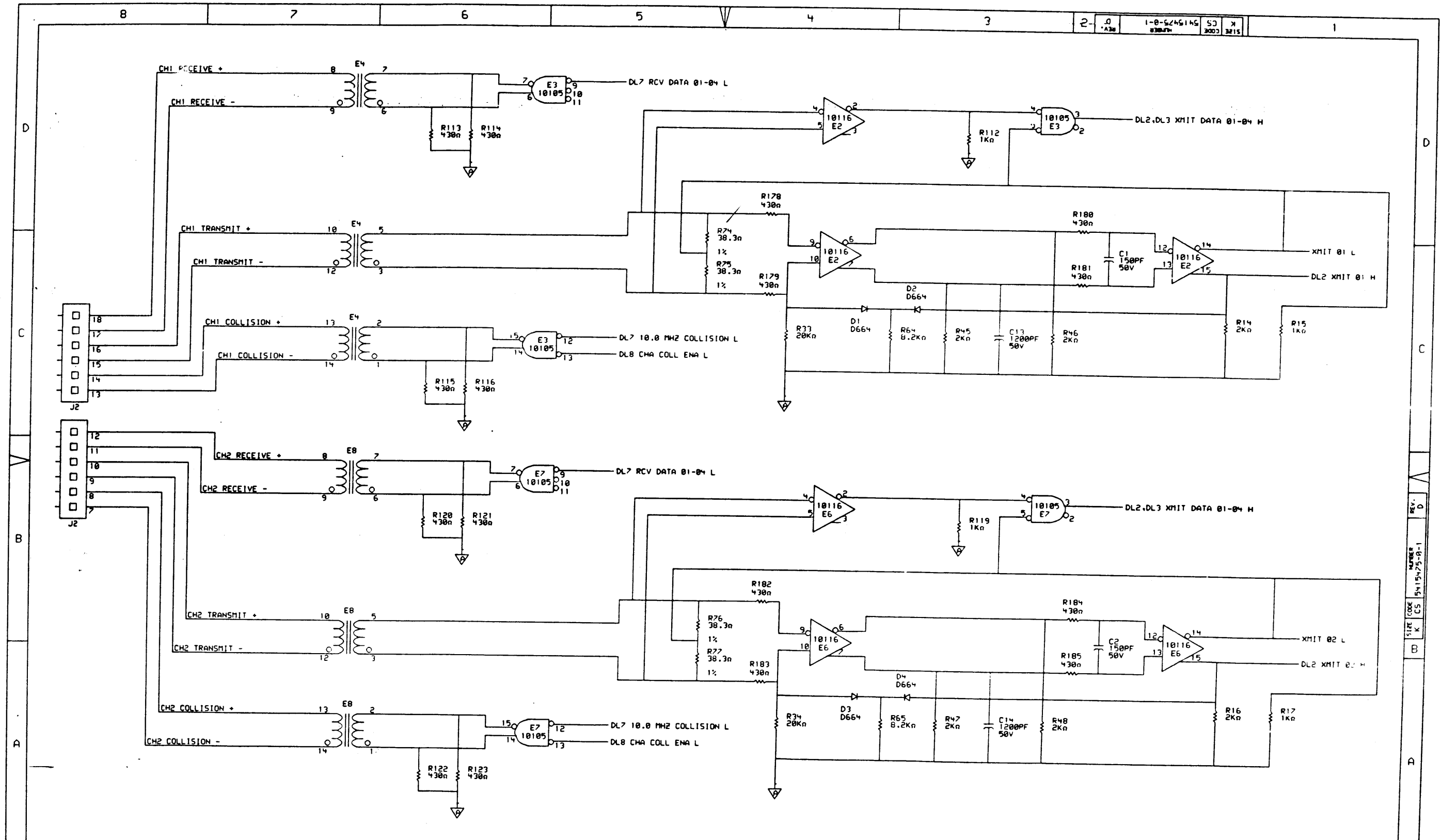


- NOTES:
- 1) LOGIC TO CHASSIS CONNECTION MADE VIA MOUNTING HOLE NEXT TO E22. THIS IS THE ONLY CONNECTION BETWEEN LOGIC AND CHASSIS REFERENCE.
 - 2) ENCLOSED PARTS ARE CHASSIS MOUNTED, SHOWN FOR REFERENCE ONLY.
 - 3) ALL RESISTORS ARE 1/4W, 5% UNLESS OTHERWISE NOTED.

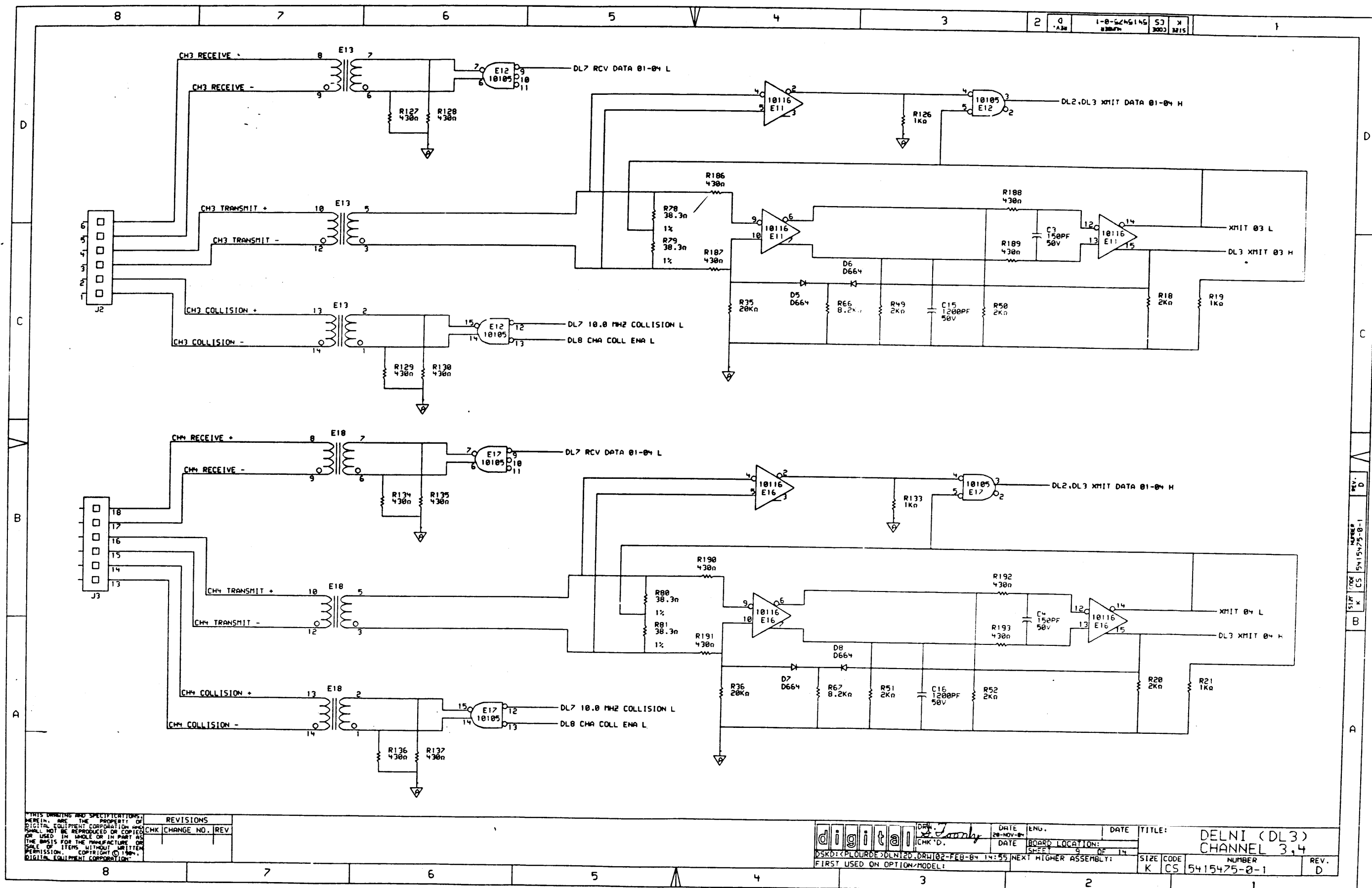
THIS DRAWING AND SPECIFICATIONS ARE THE PROPERTY OF DIGITAL EQUIPMENT CORPORATION AND SHALL NOT BE REPRODUCED OR COPIED IN WHOLE OR IN PART AS THE BASIS FOR THE MANUFACTURE OR SALE OF ITEMS WITHOUT WRITTEN PERMISSION. COPYRIGHT © 1984 DIGITAL EQUIPMENT CORPORATION.

REVISIONS		
CHK	CHANGE NO.	REV

	DATE	28-NOV-84	ENG.		DATE		TITLE:	DELNI (DL1)
	DATE				BOARD LOCATION:			POWER SUPPLY
					SHEET	7	OF	14
					HIGHER ASSEMBLY:			
					SIZE CODE	K CS	NUMBER	5415475-0-1
					REV.	D		



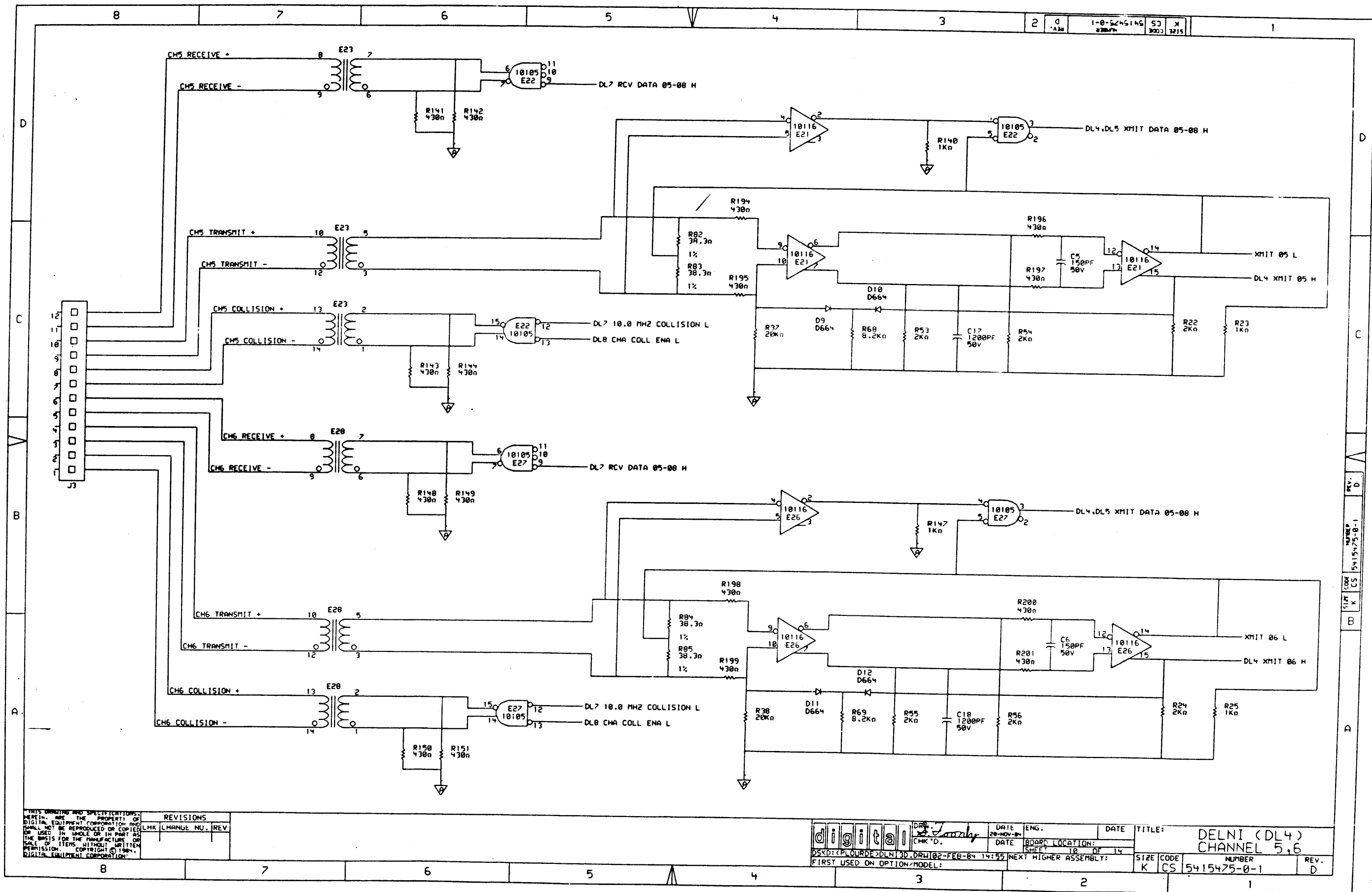
THIS DRAWING AND SPECIFICATIONS ARE THE PROPERTY OF DIGITAL EQUIPMENT CORPORATION AND SHALL NOT BE REPRODUCED OR COPIED IN WHOLE OR IN PART AS THE BASIS FOR THE MANUFACTURE OR SALE OF ITEMS WITHOUT WRITTEN PERMISSION. COPYRIGHT © 1984, DIGITAL EQUIPMENT CORPORATION.		REVISIONS CHK CHANGE NO. REV		digit		DRA: <i>Janey</i> CHK'D:	DATE: 28-NOV-84 DATE:	ENG.	DATE:	TITLE: DELNI (DL2) CHANNEL 1,2
DSKD:\PLOURDE\DLN1\02-FEB-84 14:55 NEXT HIGHER ASSEMBLY:						SHEET: 8 OF 14		SIZE CODE: K CS		NUMBER: 5415475-0-1
FIRST USED ON OPTION MODEL:						REV. D		BOARD LOCATION:		REV. D



THIS DRAWING AND SPECIFICATIONS ARE THE PROPERTY OF DIGITAL EQUIPMENT CORPORATION AND SHALL NOT BE REPRODUCED OR COPIED OR USED IN WHOLE OR IN PART AS THE BASIS FOR THE MANUFACTURE OR SALE OF ITEMS WITHOUT WRITTEN PERMISSION. COPYRIGHT © 1984 DIGITAL EQUIPMENT CORPORATION.

REVISIONS	
CHK	CHANGE NO. REV.

digital	DATE	ENG.	DATE	TITLE
	20-NOV-84			DELNI (DL3) CHANNEL 3,4
CHK'D.	DATE	BOARD LOCATION:	SHEET	OF
	02-FEB-84 14:55		9	14
FIRST USED ON OPTION/MODEL:	NEXT HIGHER ASSEMBLY:	SIZE	CODE	NUMBER
		K	CS	5415475-0-1
				REV. D

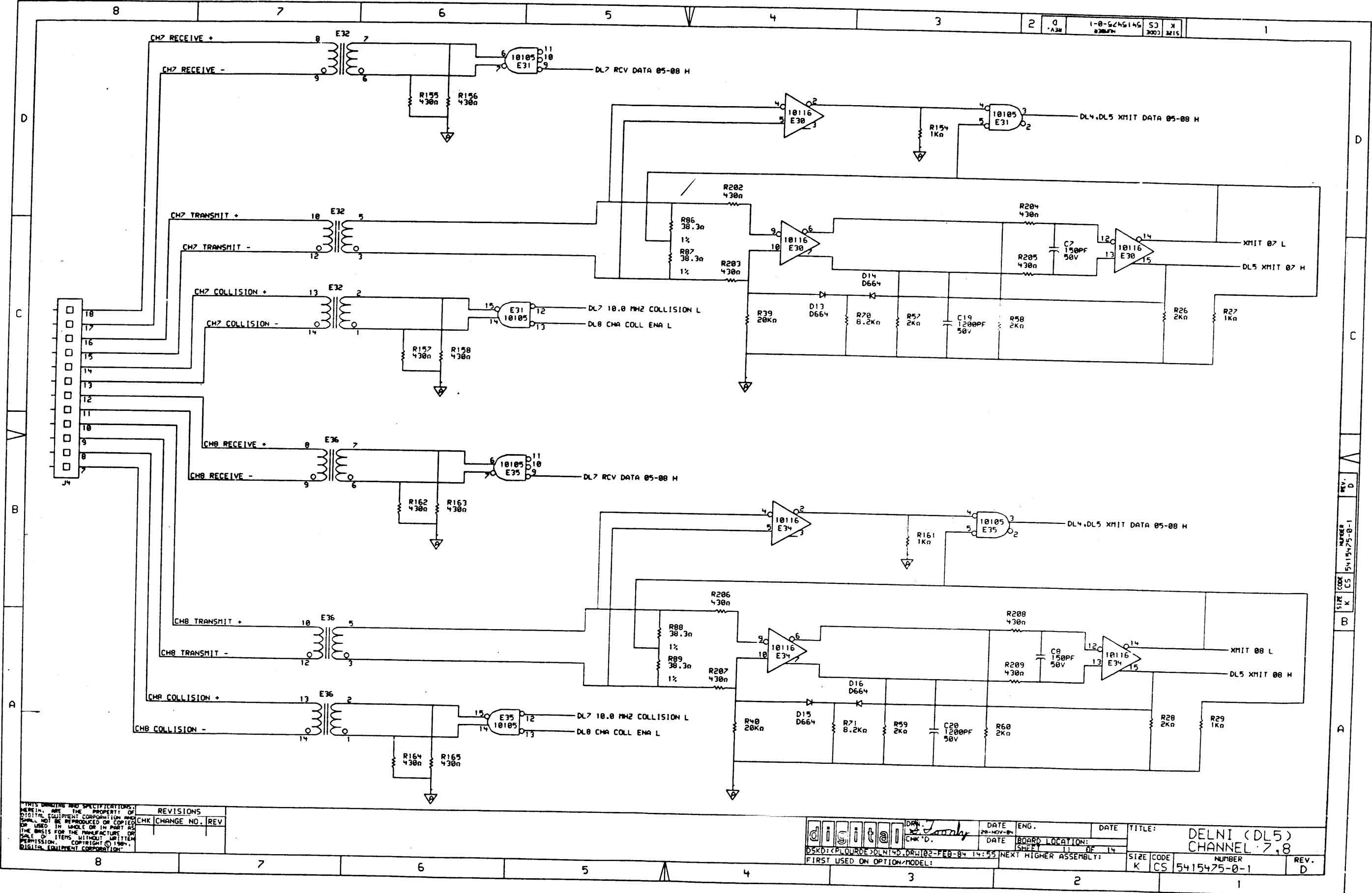


THIS DRAWING AND SPECIFICATIONS HEREIN ARE THE PROPERTY OF DIGITAL EQUIPMENT CORPORATION AND SHALL NOT BE REPRODUCED OR COPIED OR USED IN WHOLE OR IN PART AS THE BASIS FOR THE MANUFACTURE OR SALE OF ITEMS WITHOUT WRITTEN PERMISSION. COPYRIGHT © 1984, DIGITAL EQUIPMENT CORPORATION.

REVISIONS	
LHK	CHANGE NO. REV

digital	DATE	20-NOV-84	ENG.	DATE	TITLE:	DELNI (DL4) CHANNEL 5,6
	CHK'D.				BOARD LOCATION:	
DOKD: C:\PL\OURDE\DLNI30.DRW102-FEB-84 14:55 NEXT HIGHER ASSEMBLY:					SHEET	10 OF 14
FIRST USED ON OPTION/MODEL:					SIZE	K CS
					NUMBER	5415475-0-1
					REV.	D

REV. D
 15415475-0-1
 CS
 K



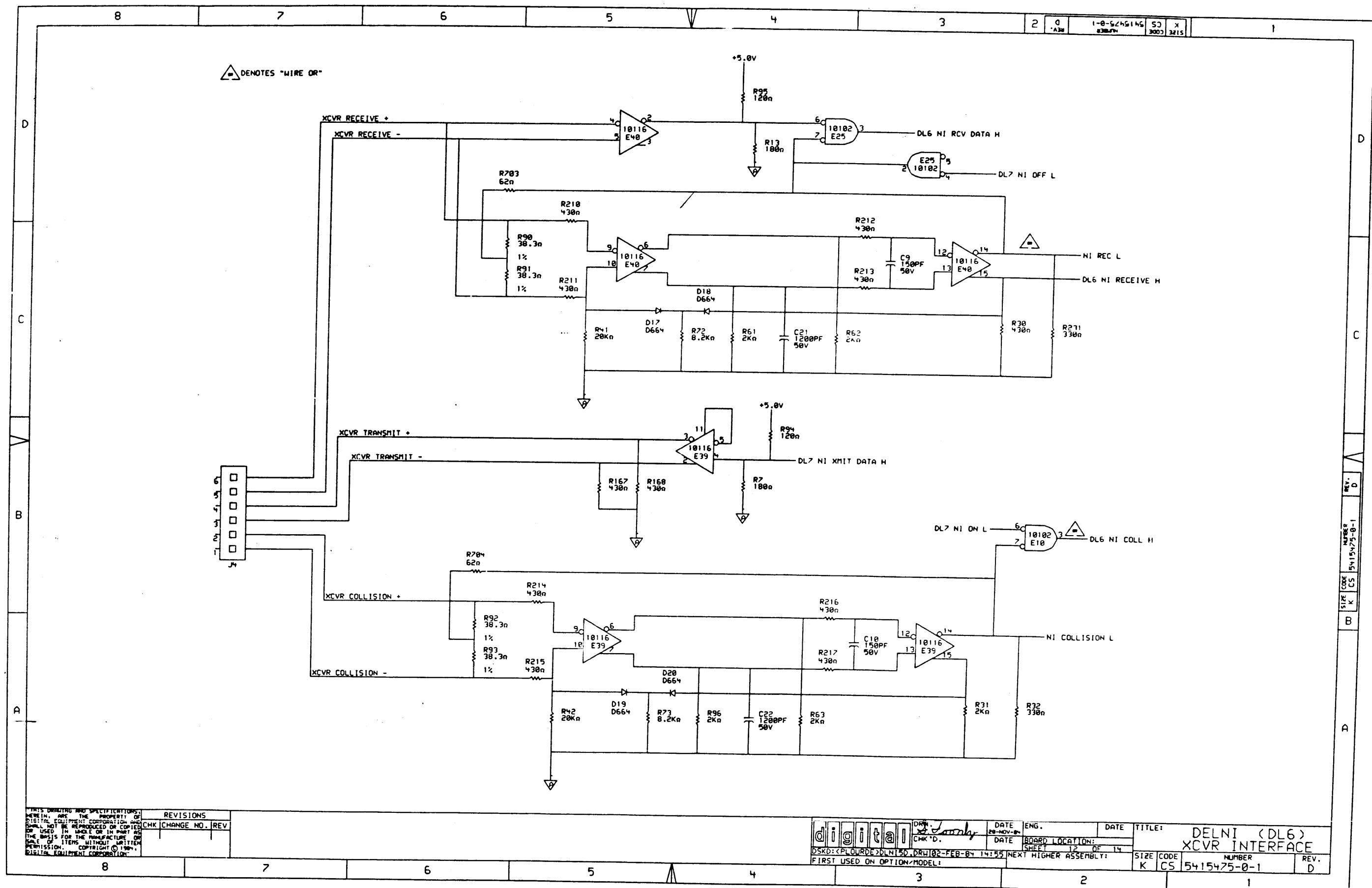
1-8-5445145
3000 3215

REV. D
NUMBER 5415475-0-1
SIZE CODE K CS

THESE DRAWINGS AND SPECIFICATIONS, HEREIN, ARE THE PROPERTY OF DIGITAL EQUIPMENT CORPORATION AND SHALL NOT BE REPRODUCED OR COPIED OR USED IN WHOLE OR IN PART AS THE BASIS FOR THE MANUFACTURE OR SALE OF ITEMS WITHOUT WRITTEN PERMISSION. COPYRIGHT © 1984, DIGITAL EQUIPMENT CORPORATION.

REVISIONS	CHK	CHANGE NO.	REV

DATE 20-NOV-84 ENG. DATE BOARD LOCATION: SHEET 11 OF 14 TITLE: DELNI (DL5) CHANNEL 7,8
 DSKD: C:\PLOWR\DELNI\40.DRAW\02-FE0-84 14:55 NEXT HIGHER ASSEMBLY: FIRST USED ON OPTION/MODEL: SIZE CODE K CS NUMBER 5415475-0-1 REV. D

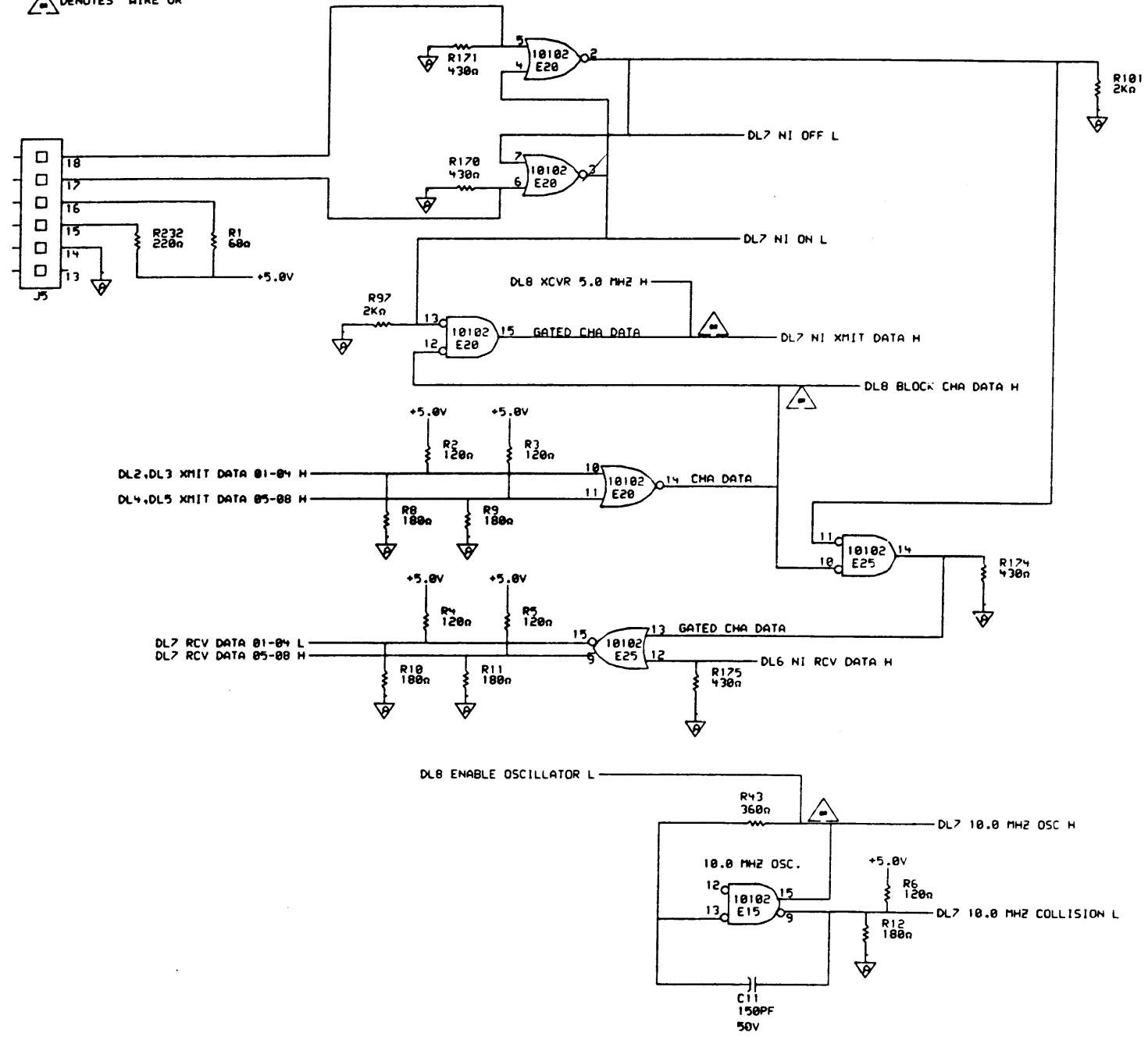


THIS DRAWING AND SPECIFICATIONS ARE THE PROPERTY OF DIGITAL EQUIPMENT CORPORATION AND SHALL NOT BE REPRODUCED OR COPIED OR USED IN WHOLE OR IN PART AS THE BASIS FOR THE MANUFACTURE OR SALE OF ITEMS WITHOUT WRITTEN PERMISSION. COPYRIGHT © 1984 DIGITAL EQUIPMENT CORPORATION.

REVISIONS	
CHK	CHANGE NO. REV.

digital DRW. J. J. J. J. CHK'D.	DATE	ENG.	DATE	TITLE:
	20-NOV-84			DELNI (DL6) XCVR INTERFACE
DSKD: <PLOWRDE>DLN150.DRW102-FEB-84 14:55 NEXT HIGHER ASSEMBLY:		BOARD LOCATION:	SHEET 12 OF 14	
FIRST USED ON OPTION/MODEL:		SIZE	CODE	NUMBER
		K	CS	5415475-0-1
				REV. D

△ DENOTES "WIRE OR"



REV. D
SIZE CODE K CS 5415475-0-1

THIS DRAWING AND SPECIFICATIONS
HEREIN ARE THE PROPERTY OF
DIGITAL EQUIPMENT CORPORATION AND
SHALL NOT BE REPRODUCED OR COPIED
OR USED IN WHOLE OR IN PART AS
THE BASIS FOR THE MANUFACTURE OR
SALE OF ITEMS WITHOUT WRITTEN
PERMISSION. COPYRIGHT © 1984
DIGITAL EQUIPMENT CORPORATION

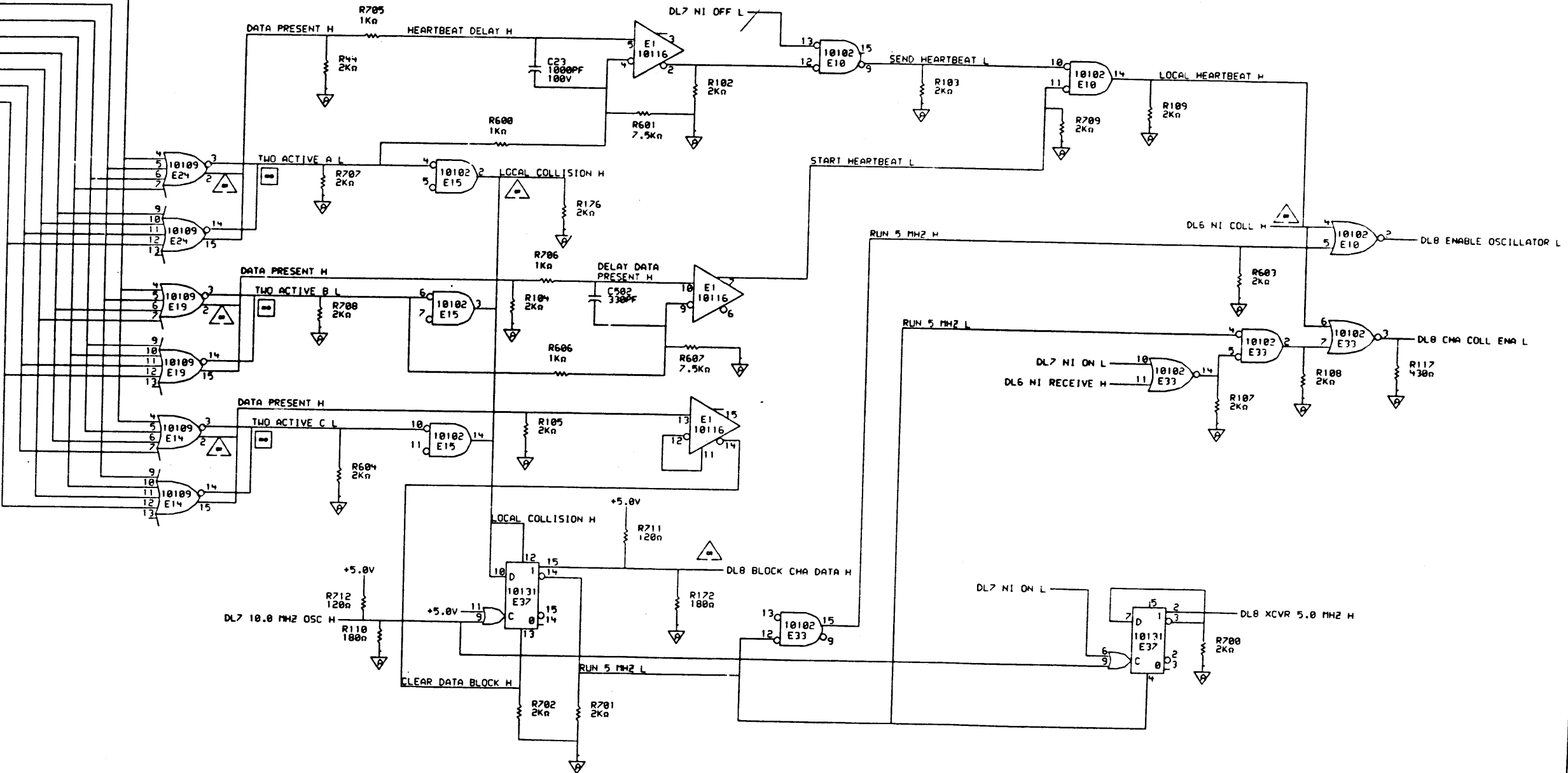
REVISIONS	
CHK	CHANGE NO. REV

digital	DRN.	DATE	ENG.	DATE	TITLE:
	CHK'D.	DATE	BOARD LOCATION:	SHEET 13 OF 14	DELNI (DL7) DATA PATH
DSKD: C:\PL\DRD\DLN120.DR\102-FEB-84 14:52		NEXT HIGHER ASSEMBLY:		SIZE CODE	NUMBER
FIRST USED ON OPTION/MODEL:				K CS	5415475-0-1
					REV. D

▲ DENOTES "WIRE OR"
 ■ DENOTES "WIRE AND"

NOTE:
 DISAGREEMENT BETWEEN "BUBBLES" AND
 ASSERTION SENSE OF NAME IMPLIES
 COMPLEMENT OF NAMED ACTION.

- DL2 XMIT 01 H
- DL2 XMIT 02 H
- DL3 XMIT 03 H
- DL3 XMIT 04 H
- DL4 XMIT 05 H
- DL4 XMIT 06 H
- DL5 XMIT 07 H
- DL5 XMIT 08 H



THIS DRAWING AND SPECIFICATIONS
 HEREIN ARE THE PROPERTY OF
 DIGITAL EQUIPMENT CORPORATION AND
 SHALL NOT BE REPRODUCED OR COPIED
 OR USED IN WHOLE OR IN PART AS
 THE BASIS FOR THE MANUFACTURE OR
 SALE OF ITEMS WITHOUT WRITTEN
 PERMISSION. COPYRIGHT © 1984,
 DIGITAL EQUIPMENT CORPORATION.

REV.	CHANGE NO.	REV.

digital DRW. <i>Janby</i> CHK'D.	DATE	ENG.	DATE	TITLE:
	28-NOV-84			DELNI (DL8) CONTROLLER
OSKD:PLQRDE\DLN190.DRW\102-FEB-84 14:54	DATE	BOARD LOCATION:	SHEET	OF
FIRST USED ON OPTION/MODEL:			14	14
	SIZE	CODE	NUMBER	REV.
	K	CS	5415475-0-1	D

REV. D
 NUMBER 5415475-0-1
 SIZE K CS

DRAWING NO.	NO. OF SHTS.	PART NO.	DESCRIPTION	REVISIONS																														
		5415628-01	LNI/CCB	A	B	B																												
D-UA-5415628-0-0	1		LNI/CCB	A	B	B																												
D-CS-5415628-0-1	1		LNI/CCB	A	B	B																												
K-PL-5415628-0-0	1		LNI/CCB	A	B	C																												
K-PC-5415628-0-DBI			P.C. DESIGN DATA BASE	B	C	C																												
		5015627-01	ETCHED CIRCUIT BOARD	B1	C1	C1																												
B-DD-5015627-0-0	1		DRAWING DIRECTORY	A	B	C																												

NOTES:

DATE	REVISIONS		
	CHG NO.	REV.	
3/83	INIT	A	
6/84	TW001	B	
9-85	TW001	C	

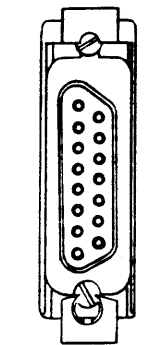
"THIS DRAWING AND SPECIFICATIONS, HEREIN, ARE THE PROPERTY OF DIGITAL EQUIPMENT CORPORATION AND SHALL NOT BE REPRODUCED OR COPIED OR USED IN WHOLE OR IN PART AS THE BASIS FOR THE MANUFACTURE OR SALE OF ITEMS WITHOUT WRITTEN PERMISSION."
 COPYRIGHT © 1983 DIGITAL EQUIPMENT CORPORATION



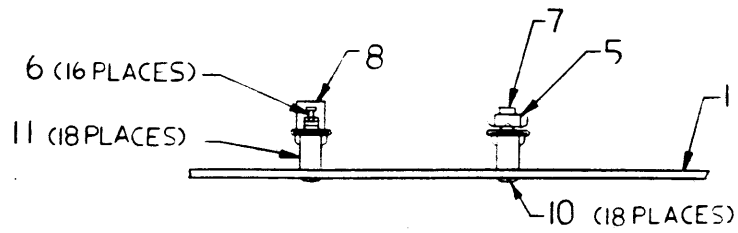
USED ON OPTION/MODEL		DRN. JOHN COTE	03MAR83	TITLE	
LNI		CHK'D		LNI/CCB	
		<i>D. Vonada</i>	3-11-83	SIZE	CODE
		ENG. D. VONADA	3-11-83	B	DD
		PROD. J. COBB	3-11-83	NUMBER	REV.
				5415628-0-0	C
				SHEET 1 OF 1	

COMPONENT SIDE VIEW

THIS DRAWING AND SPECIFICATIONS, HEREIN, AND THE PROPERTY OF DIGITAL EQUIPMENT CORPORATION AND SHALL NOT BE REPRODUCED OR COPIED OR USED IN WHOLE OR IN PART OR THE BASIS FOR THE MANUFACTURE OR SALE OF ITEMS WITHOUT WRITTEN PERMISSION.
 COPYRIGHT © 1964 DIGITAL EQUIPMENT CORPORATION



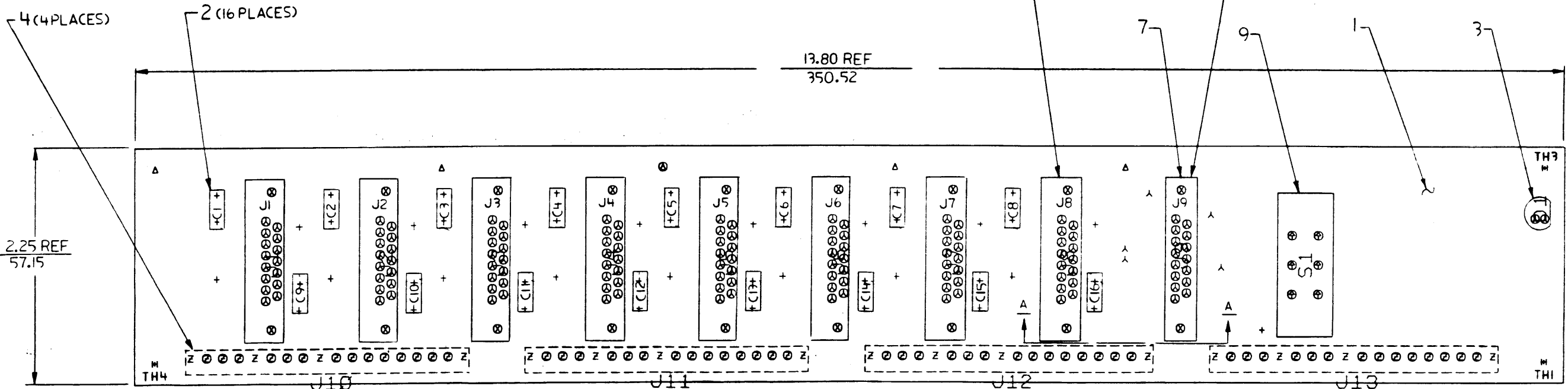
DETAIL B



VIEW A-A



+



NOTES: 1. ITEM 6 TWO FLAT WASHERS MUST BE ASSEMBLED UNDER LOCKING POST
 2. ITEM 5 MUST LATCH WITH A DOWNWARD MOTION. (SEE DETAIL B)

STEP E + Y AXIS 2600 STEP 3 TIMES
 REPEAT → X AXIS — STEP — TIMES

CHK CHANGE NO	REV
270	B
D. MADDA	

ETCH REV. CP2

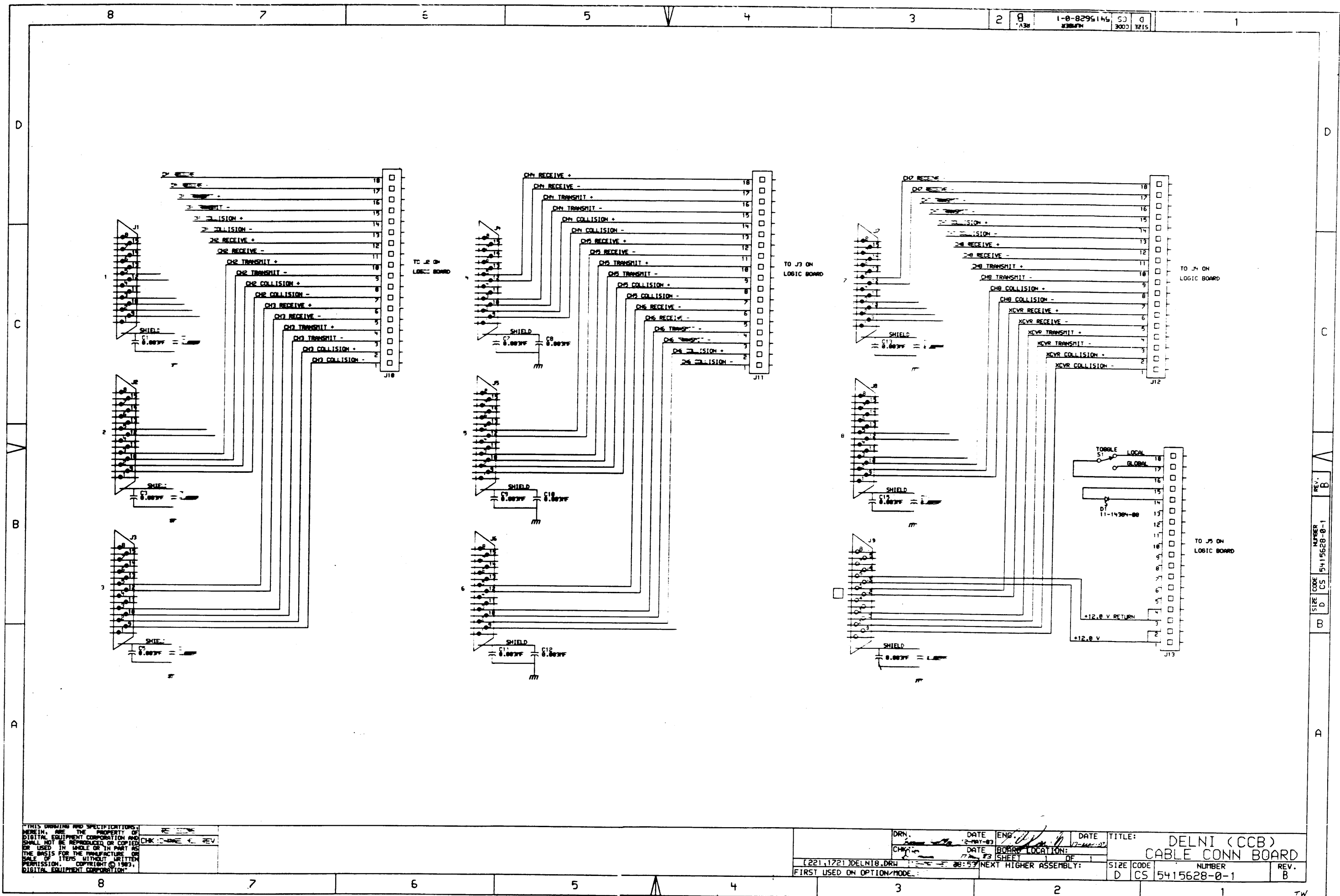
SIGNATURES		DATE	digital
DRN. Dan Gardner		2-2-74	
CHK'D. F. [Signature]		3-2-74	
MECH. ENG. [Signature]		2/27/74	
PROJ. ENG. [Signature]		2/27/74	TITLE
PROD. [Signature]		2/27/74	LNI/CCB
SCALE 2-1	SIZE CODE	NUMBER	REV
SHT. 1 OF 1	D U A	5415628-0-0	B
NEXT HIGHER ASSY. B-DD-5415628-0-0			

LINE ITEM	TOP DOCUMENT	PART NUMBER	MIN REV DESCRIPTION	VARIATION REVISION LEVEL:	QTY PER VARIATION	REFERENCE DESIGNATOR
1	D-MD-5015627-0-0	5015627-01	CIRCUIT DRILL & ETCH		1	
2		1013963-00	3300.0 MMF 500V 20% Z5U DISC		16	C1-C16
3		1114384-00	LED 105MW 35MA GREEN		1	D1
4		1215546-01	PCB,HEADER 18PIN(1X18).156CC STR		4	J10-J13
5		1218489-01	LATCH ASSY,SLIDE .290 LG		1	
6		1218672-01	CONN,D SUB LOCKING POST ASSY		16	
7		1220350-01	CONN,D SUB 15SKT ASSY STR TIN PL		1	J9
8		1220360-01	CONN,D SUB 15SKT ASSY STRAIGHT P		8	J1-J8
9		1221172-01	SW,SLIDE 2POT 3A		1	S1
10		9009643-02	SCREW,SEMS PAN PHIL 4-		18	
11		9010407-01	STANDOFF,PC BOARD 4-40		18	

- 12 NOTE: 1. ASSEMBLE 5,7,11 TOGETHER FORMING CONN ASSY J-9. NOTE: MAY USE
 13 NOTE: 1221808-01 AS REPLACEMENT FOR CONN ASSY'S J-9 ABOVE. NOTE: REPLACE
 14 NOTE: QTY 1 ITEM 5, QTY 1 ITEM 7, QTY 2 ITEM 11.
 15 NOTE: 2. ASSEMBLE 6,8,11 TOGETHER FORMING CONN ASSY'S J-1 - J-8.
 16 NOTE: 3. MAY USE 1221634-01 AS REPLACEMENT FOR CONN ASSY'S J-1 - J-8 ABOVE.
 17 NOTE: 4. REPLACES QTY 16 ITEM 6, QTY 8 ITEM 8, QTY 16 ITEM 11.
 18 NOTE: 5. ASSY'S ARE THEN PUT ONTO PCB USING ADDITIONAL SCREWS.
 19 NOTE: 6. PART #9009643-02, SCREWS TO PUT ABOVE ASSY'S ONTO PCB.

REVISION HISTORY		BASIC PART NO: 5415628		DRN:	JOHN COTE	DATE:	9-MAR-83	D I G I T A L			
ENG:	ECO NUMBER	REV	SECTION A OF A	CHK'D:	JOHN COTE	DATE:	9-MAR-83	TITLE		PARTS LIST	
---	INITIAL	A	SECTION VARIATION INDEX	DES.ENG:	B. CRONIN	DATE:	9-MAR-83	LNI/CCB		DOCUMENT NUMBER	
DV	5415628-TW001	B	[A] 01	RESP.ENG.:	DON VONADA	DATE:	9-MAR-83	SIZE	CODE	NUMBER	REV
ML	5415628-TW002	C	[B]	MFG.ENG.:	J. COBB	DATE:	9-MAR-83	K	PL	5415628-0-DBP	C
			[C]	ASSEMBLY NUMBER:		TOP DOCUMENT NUMBER:		RELEASE DATE:		22-OCT-85	
			[D]	D-UA-5415628-0-0		B-DD-5415628-0-0		FILE NAME:	EDIT #		
			[E]					Z4833C.PLS	4		
			[F]								
			[G]								
			[H]								
			[I]								
			[J]								
			[K]								
			[L]								
			[M]								
			[N]								

"THIS DRAWING AND THE SPECIFICATIONS CONTAINED HEREIN ARE CONFIDENTIAL AND PROPRIETARY. THEY ARE THE PROPERTY OF DIGITAL EQUIPMENT CORPORATION AND SHALL NOT BE REPRODUCED OR COPIED OR USED IN WHOLE OR IN PART AS THE BASIS FOR THE MANUFACTURE OR SALE OF ITEMS WITHOUT WRITTEN PERMISSION. THIS IS AN UNPUBLISHED WORK PROTECTED UNDER THE FEDERAL COPYRIGHT LAWS."



THIS DRAWING AND SPECIFICATIONS HEREIN, ARE THE PROPERTY OF DIGITAL EQUIPMENT CORPORATION AND SHALL NOT BE REPRODUCED OR COPIED OR USED IN WHOLE OR IN PART AS THE BASIS FOR THE MANUFACTURE OR SALE OF ITEMS WITHOUT WRITTEN PERMISSION. COPYRIGHT © 1973, DIGITAL EQUIPMENT CORPORATION.

REV. B

DRN. [Signature]	DATE 12-MAY-83	ENG. [Signature]	DATE 12-MAY-83	TITLE: DELNI (CCB) CABLE CONN BOARD
CHKD. [Signature]	DATE 17-MAY-83	BOARD LOCATION: 17	SHEET 1 OF 1	
FIRST USED ON OPTION MODE: 08:57				NEXT HIGHER ASSEMBLY:
SIZE D	CODE CS	NUMBER 5415628-0-1	REV. B	

REV. B
SIZE CODE NUMBER 5415628-0-1

TW

digital

PARTS LIST

QUANTITY / VARIATION

NOTES:

DRN. B. CLARK	DES. ENG. R. BATEMAN	CHK'D. R. WHITE
DATE 30 JUN 83	DATE 30 JUN 83	
CHK'D. B. CLARK	RESP. ENG. R. BATEMAN	NET - GHER DOC.
DATE 30 JUN 83	DATE 30 JUN 83	B-DD-DELNI-0

ITEM NO.	DRAWING NO.	PART NO.	DESCRIPTION	QUANTITY / VARIATION								REFERENCE DESIGNATORS
				DELNI-AA	DELNI-AB							
1	B-TC-DELNI-0-1	MP-01656-01	DELNI FIELD MAINTENANCE PRINT SET	1	1							

ECO NO.

THIS DRAWING AND SPECIFICATIONS HEREIN ARE THE PROPERTY OF DIGITAL EQUIPMENT CORPORATION AND SHALL NOT BE REPRODUCED OR COPIED OR USED IN WHOLE OR IN PART AS THE BASIS FOR THE MANUFACTURE OR SALE OF ITEMS WITHOUT WRITTEN PERMISSION.
 COPYRIGHT © 1982 DIGITAL EQUIPMENT CORPORATION

SHIPPING LIST DELNI

ASSY. NO.
B-DD-DELNI-0

SIZE
B
CODE
PL

NUMBER
DELNI-0

REV.
A

SECTION A1 OF A1

SHEET 1 OF 1